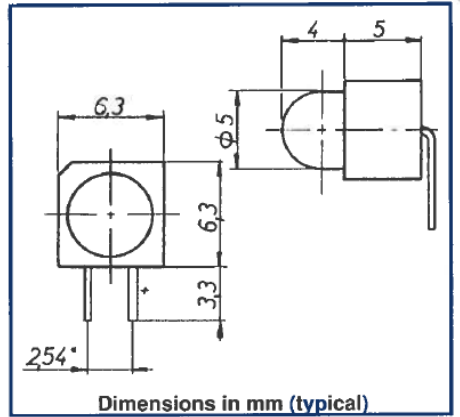




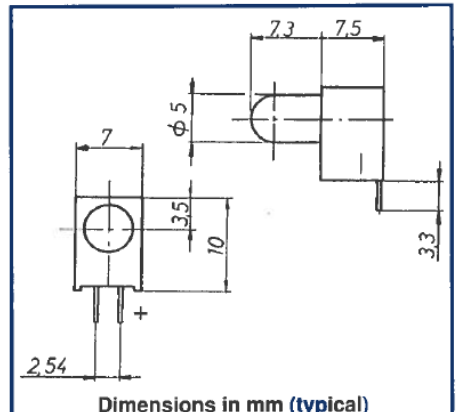
**SERIES KSL 50** Ø 5 mm LED

TYPE	EMITTED COLOUR	LUMINOUS INTENSITY			FULL VIEWING ANGLE	FORWARD VOLTAGE (IF=20 mA)		OPERATING TEMPERATURE	FORWARD CURRENT
		PEAK	TYP.	IF		TYP.	MAX		
KSL 50 - R	RED	700	3,5	10	120	2,1	2,5	- 55 to + 100	25
KSL 50 - Y	YELLOW	590	20	10	120	2,2	2,5		25
KSL 50 - G	GREEN	565	8	10	120	2,2	2,5		30
KSL 50 - S	SUPER RED	625	20	10	120	2,2	2,5		30
<b>BLINKING</b>									
KSL 50 - RT	RED	700	2,5		120	9-12	13	- 55 to + 100	38-56
KSL 50 - YT	YELLOW	590	12,5		120	9-12	13		38-56
KSL 50 - GT	GREEN	565	8		120	9-12	13		38-56
KSL 50 - IT	IPEER RED	660	70		120	9-12	13		38-56
KSL 50 - SL	SUPER RED	625	12,5		120	9-12	13		38-56
QUALITY TESTED 100%	DIFFUSED	nm	mcd	mA	DEGREE°	V	V	°C	mA



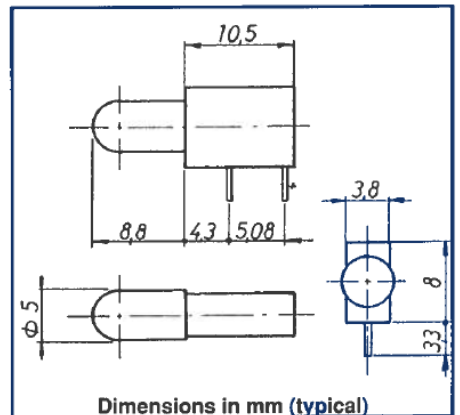
**SERIES KSL 55** Ø 5 mm LED

TYPE	EMITTED COLOUR	LUMINOUS INTENSITY			FULL VIEWING ANGLE	FORWARD VOLTAGE (IF=20 mA)		OPERATING TEMPERATURE	FORWARD CURRENT
		PEAK	TYP.	IF		TYP.	MAX		
KSL 55 - R	RED	700	5	10	120	2,0	2,5	- 55 to + 100	25
KSL 55 - Y	YELLOW	590	20	10	120	2,1	2,6		30
KSL 55 - G	GREEN	565	20	10	120	2,2	2,5		25
KSL 55 - S	SUPER RED	625	32	10	120	2,0	2,5		30
KSL 55 - B	RED/GREEN	625/565	12,5	20	100	2,0	2,8	25	
KSL 55 - I	IPEER RED	660	100	20	120	1,85	2,5	30	
<b>LOW CURRENT</b>									
KSL 55 - RL	RED	625	2	2	120	1,8	2,5	- 55 to + 100	7,5
KSL 55 - YL	YELLOW	590	2	2	120	1,9	2,7		7,5
KSL 55 - GL	GREEN	565	2	2	120	1,9	2,5		7,5
KSL 55 - IL	IPEER RED	660	20	2	120	1,85	2,5		7,5
QUALITY TESTED 100%	DIFFUSED	nm	mcd	mA	DEGREE°	V	V	°C	mA



**SERIES KDE 54** Ø 5 mm LED

TYPE	EMITTED COLOUR	LUMINOUS INTENSITY			FULL VIEWING ANGLE	FORWARD VOLTAGE (IF=20 mA)		OPERATING TEMPERATURE	FORWARD CURRENT
		PEAK	TYP.	IF		TYP.	MAX		
KDE 54 - R	RED	700	5	10	120	2,0	2,5	- 55 to + 100	25
KDE 54 - Y	YELLOW	590	20	10	120	2,1	2,6		30
KDE 54 - G	GREEN	565	20	10	120	2,2	2,5		25
KDE 54 - S	SUPER RED	625	32	10	120	2,0	2,5		30
KDE 54 - B	RED/GREEN	625/565	12,5	20	100	2,0	2,8	25	
KDE 54 - I	IPEER RED	660	100	20	120	1,85	2,5	30	
<b>LOW CURRENT</b>									
KDE 54 - RL	RED	625	2	2	120	1,8	2,5	- 55 to + 100	7,5
KDE 54 - YL	YELLOW	590	2	2	120	1,9	2,7		7,5
KDE 54 - GL	GREEN	565	2	2	120	1,9	2,5		7,5
KDE 54 - IL	IPEER RED	660	20	2	120	1,85	2,5		7,5
QUALITY TESTED 100%	DIFFUSED	nm	mcd	mA	DEGREE°	V	V	°C	mA



**MATERIAL SPECIFICATION**

- ☞ HOUSING: BLACK NORLYL, UL94 V-0
- ☞ SOLDERING TEMPERATURE: 260°C ≤ 6 sec.
- ☞ FLAMABILITY: UL 94 V-0 and acc. VDE 0304 part3
- ☞ CLIMATE: DIN 40040
- ☞ TERMINATIONS: □ 0,5 mm leads
- ☞ Mean Time Between Failure: • standard 100.000 hours • low current 250.000 hours

**OPTIONS AVAILABLE**

- ☞ 5 V & 12 V INTEGRATED RESISTOR
- ☞ BICOLOUR/TRICOLOUR & BIPOLAR
- ☞ BLUE OR WHITE LEDs
- ☞ ULTRABRIGHT - INFRARED & PHOTOTRANSISTORS
- ☞ LED CASE: WATER CLEAR - TRANSPARENT - WHITE
- ☞ FLAT TOP & BLINKING LEDs ☞ SPECIAL LEDs ON REQUEST