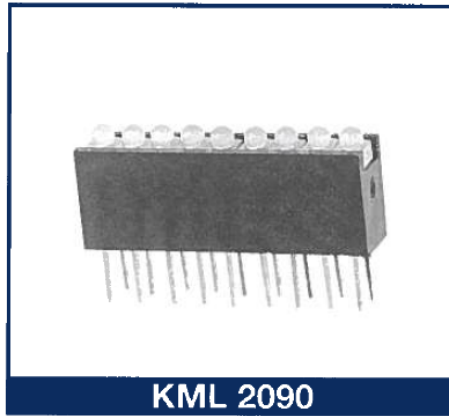
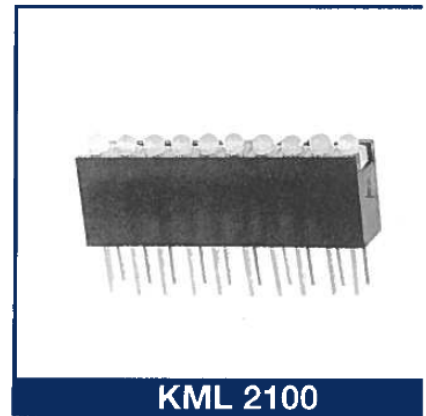




KML 2080



KML 2090

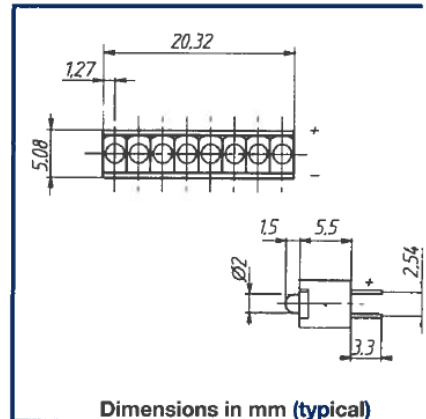


KML 2100

SERIES KML 2080

Ø 1,8 mm LED

TYPE (8 LEDs)	EMITTED COLOUR	LUMINOUS INTENSITY			FULL VIEWING ANGLE	FORWARD VOLTAGE (IF = 20 mA)		OPERATING TEMPERATURE	FORWARD CURRENT
		PEAK	TYP.	IF		TYP.	MAX		
KML 2080 - R	RED	700	3,5	10	40	2,0	2,5	- 55 to + 100	25
KML 2080 - Y	YELLOW	590	5,5	10	40	2,1	2,5		30
KML 2080 - G	GREEN	565	5,5	10	40	2,2	2,5		25
KML 2080 - E	ORANGE	625	12,5	10	40	2,0	2,5		30
KML 2080 - S	SUPER RED	625	12,5	10	40	2,0	2,5		30
KML 2080 - M	MULTICOLOURED	Indicate colours from left to right (see drawing)							
KML 2080 - I	IAPER RED	660	50	10	40	1,85	2,5		30
KML 2080 - W	RED	660	80	10	30	1,85	2,5		30
QUALITY TESTED 100%	DIFFUSED	nm	med	mA	DEGREE*	V	V	°C	mA

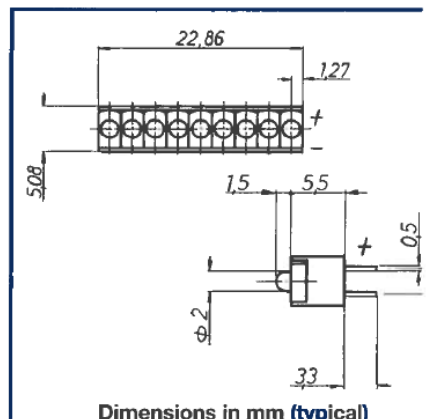


Dimensions in mm (typical)

SERIES KML 2090

Ø 1,8 mm LED

TYPE (9 LEDs)	EMITTED COLOUR	LUMINOUS INTENSITY			FULL VIEWING ANGLE	FORWARD VOLTAGE (IF = 20 mA)		OPERATING TEMPERATURE	FORWARD CURRENT
		PEAK	TYP.	IF		TYP.	MAX		
KML 2090 - R	RED	700	3,5	10	40	2,0	2,5	- 55 to + 100	25
KML 2090 - Y	YELLOW	590	5,5	10	40	2,1	2,5		30
KML 2090 - G	GREEN	565	5,5	10	40	2,2	2,5		25
KML 2090 - E	ORANGE	625	12,5	10	40	2,0	2,5		30
KML 2090 - S	SUPER RED	625	12,5	10	40	2,0	2,5		30
KML 2090 - M	MULTICOLOURED	Indicate colours from left to right (see drawing)							
KML 2090 - I	IAPER RED	660	50	10	40	1,85	2,5		30
KML 2090 - W	RED	660	80	10	30	1,85	2,5		30
QUALITY TESTED 100%	DIFFUSED	nm	med	mA	DEGREE*	V	V	°C	mA

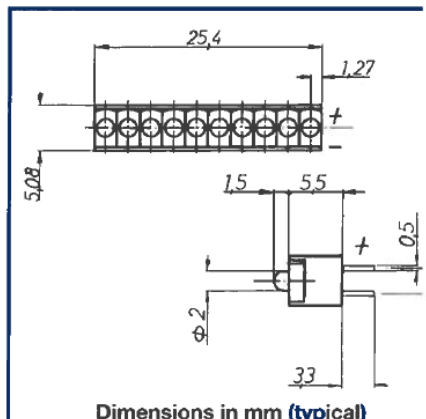


Dimensions in mm (typical)

SERIES KML 2100

Ø 1,8 mm LED

TYPE (10 LEDs)	EMITTED COLOUR	LUMINOUS INTENSITY			FULL VIEWING ANGLE	FORWARD VOLTAGE (IF = 20 mA)		OPERATING TEMPERATURE	FORWARD CURRENT
		PEAK	TYP.	IF		TYP.	MAX		
KML 2100 - R	RED	700	3,5	10	40	2,0	2,5	- 55 to + 100	25
KML 2100 - Y	YELLOW	590	5,5	10	40	2,1	2,5		30
KML 2100 - G	GREEN	565	5,5	10	40	2,2	2,5		25
KML 2100 - E	ORANGE	625	12,5	10	40	2,0	2,5		30
KML 2100 - S	SUPER RED	625	12,5	10	40	2,0	2,5		30
KML 2100 - M	MULTICOLOURED	Indicate colours from left to right (see drawing)							
KML 2100 - I	IAPER RED	660	50	10	40	1,85	2,5		30
KML 2100 - W	RED	660	80	10	30	1,85	2,5		30
QUALITY TESTED 100%	DIFFUSED	nm	med	mA	DEGREE*	V	V	°C	mA



Dimensions in mm (typical)

MATERIAL SPECIFICATION

- ◆ HOUSING: BLACK, UL94 V-0
- ◆ SOLDERING TEMPERATURE: 260 °C ≤ 6 sec.
- ◆ FLAMABILITY: UL 94 V-0 and acc. VDE 0304 part3
- ◆ CLIMATE: DIN 40040
- ◆ TERMINATIONS: □ 0,5 mm leads
- ◆ Mean Time Between Failure 100.000 hours

FEATURES

- ◆ 1,8 mm sized led's save space
- ◆ colours can be mixed in a single housing
- ◆ facilitates PCB mounting and wave solderin
- ◆ vibration and shock resistance
- ◆ special leds on request

Salvataggio in corso