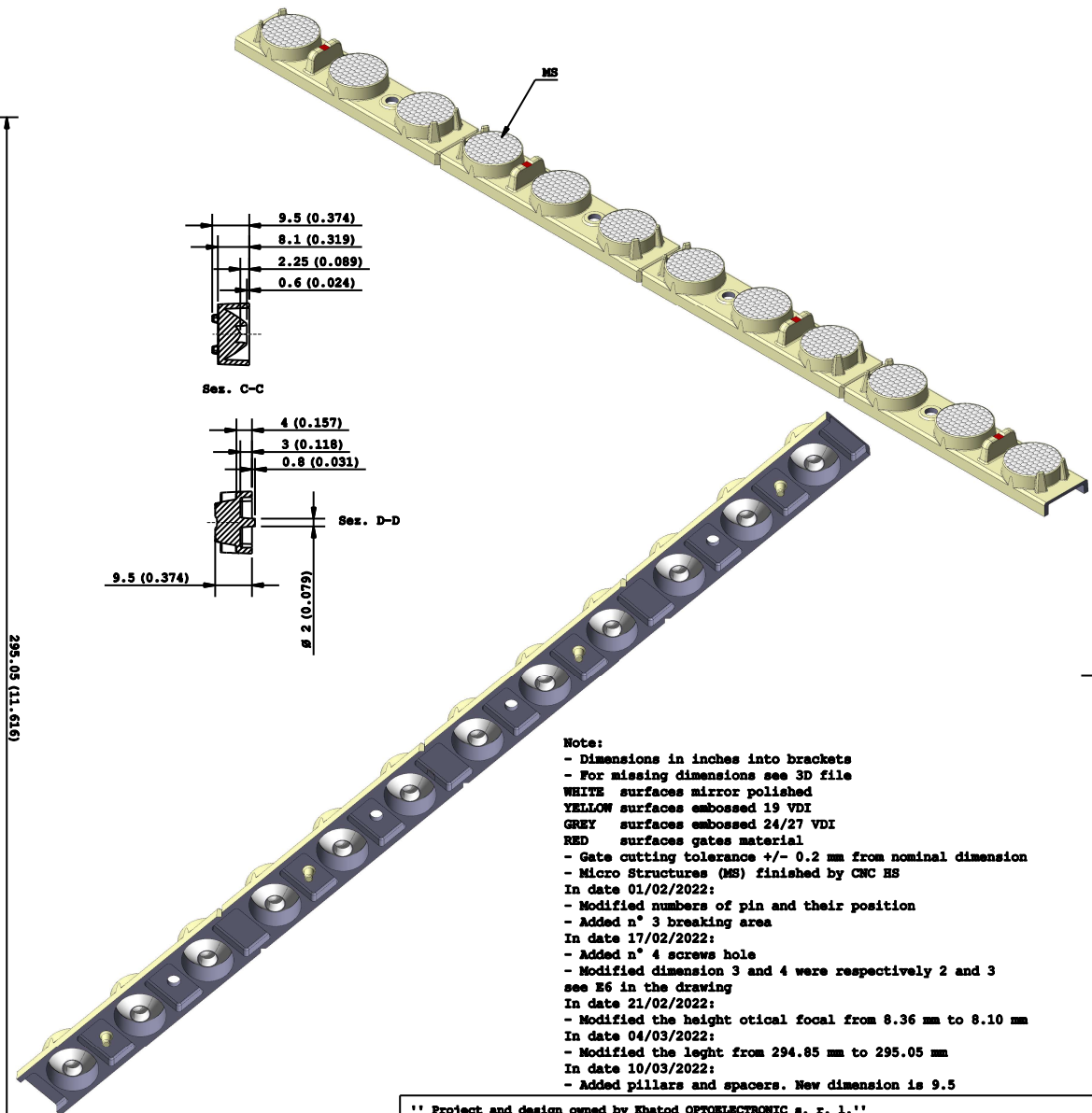
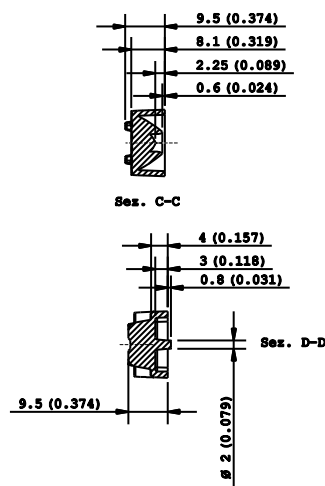
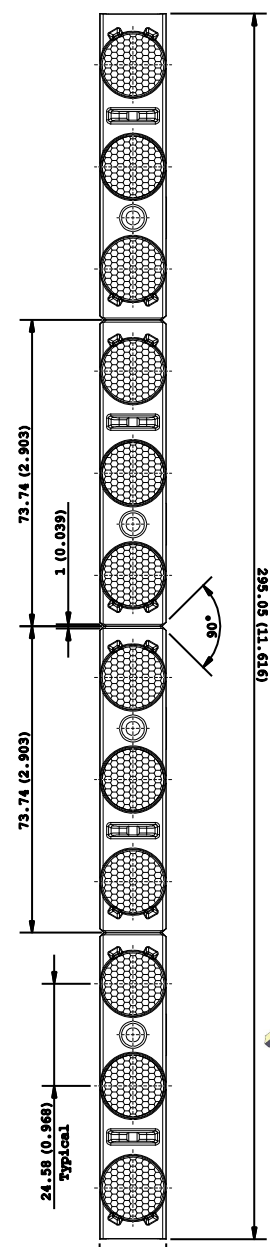
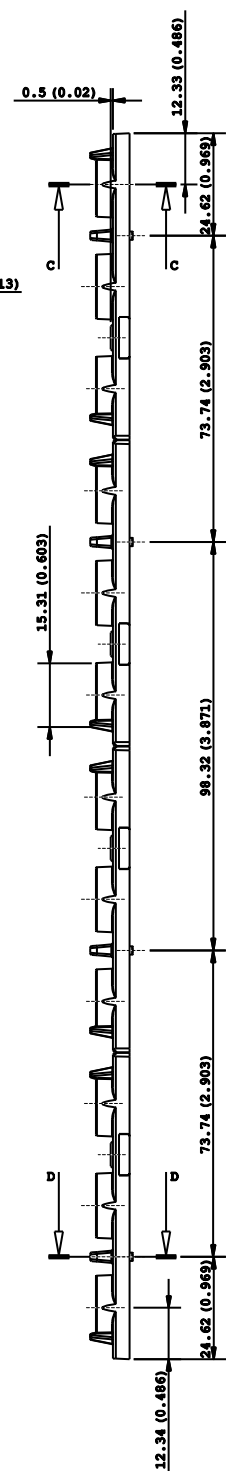
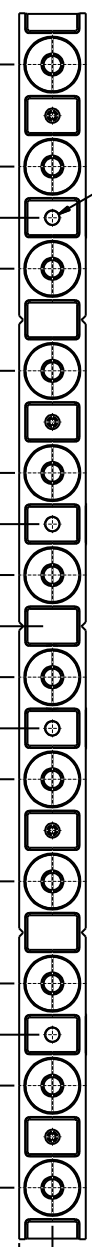


135.19 (5.322)
110.61 (4.355)
98.32 (3.871)
86.03 (3.387)
61.45 (2.419)
36.87 (1.452)
24.58 (0.968)
12.29 (0.484)
0 (0)
12.29 (0.484)
24.58 (0.968)
36.87 (1.452)
61.45 (2.419)
86.03 (3.387)
98.32 (3.871)
110.61 (4.355)
135.19 (5.322)



Note:
 - Dimensions in inches into brackets
 - For missing dimensions see 3D file
 WHITE surfaces mirror polished
 YELLOW surfaces embossed 19 VDI
 GREY surfaces embossed 24/27 VDI
 RED surfaces gates material
 - Gate cutting tolerance +/- 0.2 mm from nominal dimension
 - Micro Structures (MS) finished by CMC HS
 In date 01/02/2022:
 - Modified numbers of pin and their position
 - Added n° 3 breaking area
 In date 17/02/2022:
 - Added n° 4 screws hole
 - Modified dimension 3 and 4 were respectively 2 and 3 see E6 in the drawing
 In date 21/02/2022:
 - Modified the height optical focal from 8.36 mm to 8.10 mm
 In date 04/03/2022:
 - Modified the leght from 294.85 mm to 295.05 mm
 In date 10/03/2022:
 - Added pillars and spacers. New dimension is 9.5

" Project and design owned by Khatod OPTOELECTRONIC s. r. l."
 The technical solutions adopted in this design are Khatod intellectual property, they cannot be reproduced and transmitted to third parties without our prior written permission.
 Unauthorized disclosure of confidential proprietary information will be prosecuted by law.

DESCRIPTION : Linear lens		DESIGNER : LM/LS	PROJECTS : Venus
CODE : VENUS-ME	CHECKED :	CONTROLLED :	DATA : 27/01/2022
KHATOD Via Alessandrina,25 Cusano Milanino MILANO ITALIA WWW.KHATOD.COM	All Dimensions in mm General Tolerances ISO 2768-m		17/02/2022 21/02/2022 04/03/2022
		REVISIONS: - 05 -	MATERIAL: Optical Pmma
	SCALE : 1 : 1	SHEET : 1 of 1	