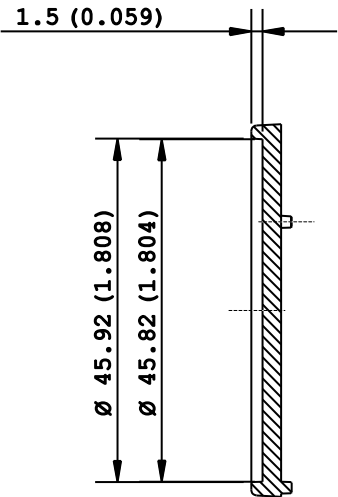
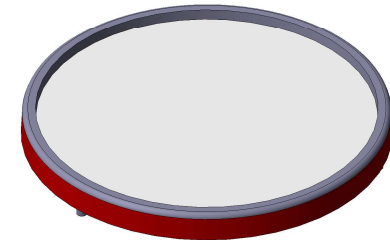
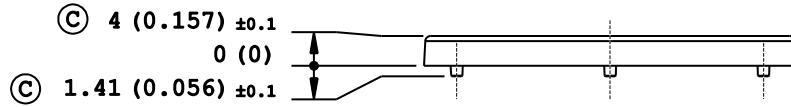
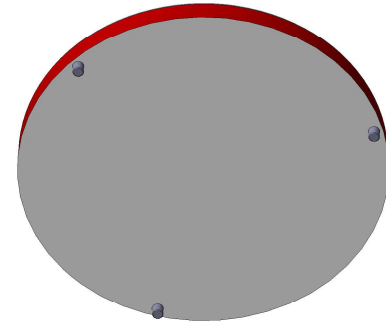
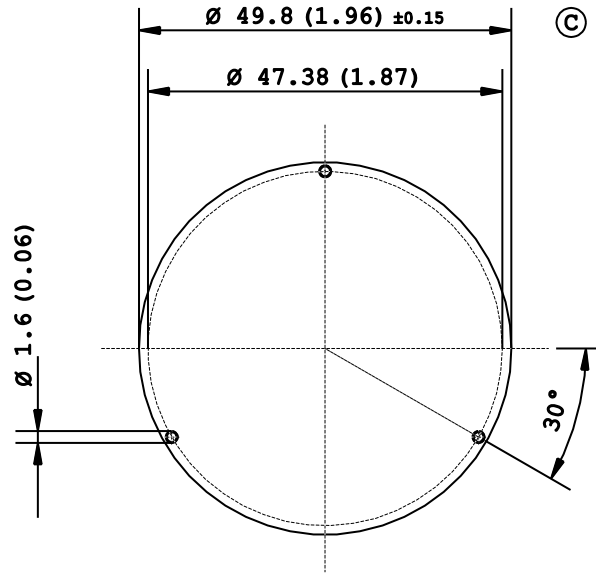
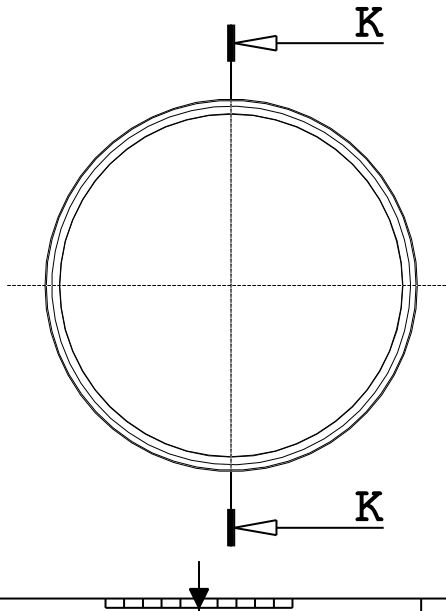


- Note:
- Dimensions in inches into brackets
 - For missing dimensions see 3D file
 - WHITE surfaces mirror polished
 - GREY surfaces embossed 27/29 VDI
 - RED surface area available for gate material
- Sink mark injection will be present
- Ⓢ = Quality Control Dimensions (QCD)



K-K



'' Project and design owned by Khatod OPTOELECTRONIC s. r. l. ''
 The technical solutions adopted in this design are Khatod intellectual property, they cannot be reproduced and transmitted to third parties without our prior written permission.
 Unauthorized disclosure of confidential proprietary information will be prosecuted by law.

DESCRIPTION : Interchangeable optic		DESIGNER : LM	PROJECTS : eASY
CODE : PLL 2069 NA	CHECKED : LM	CONTROLLED : LM/GV	DATA : 29/05/2017
KHATOD Via Alessandrina,25 Cusano Milanino MILANO ITALIA WWW.KHATOD.COM	All Dimensions in mm General Tolerances +/-0.20 mm		HEAT TREATMENT: None
			MATERIAL: Pmma 8N
SCALE : 1 : 1			SHEET : 1 of 1