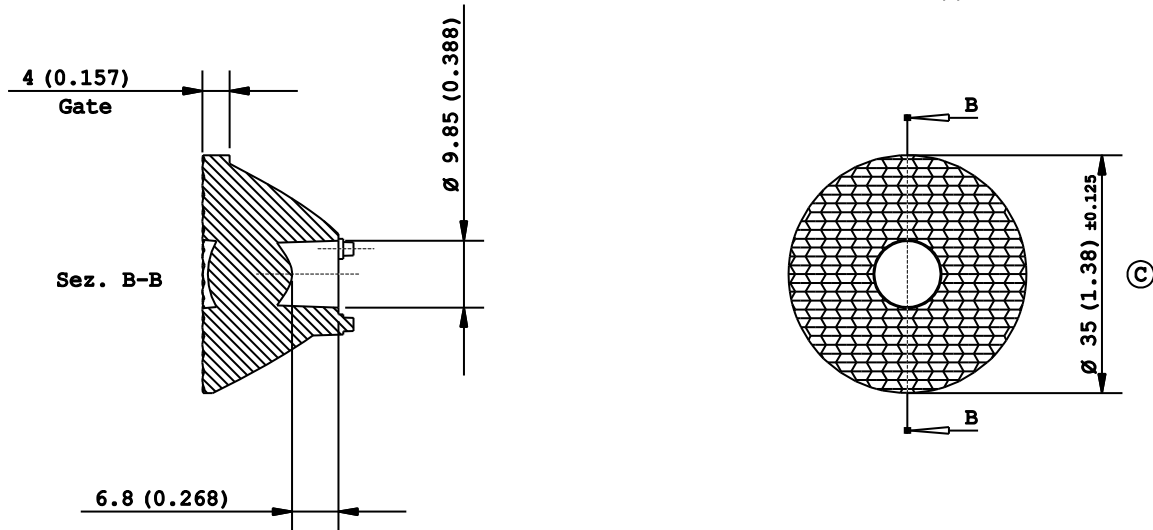
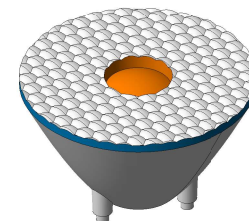
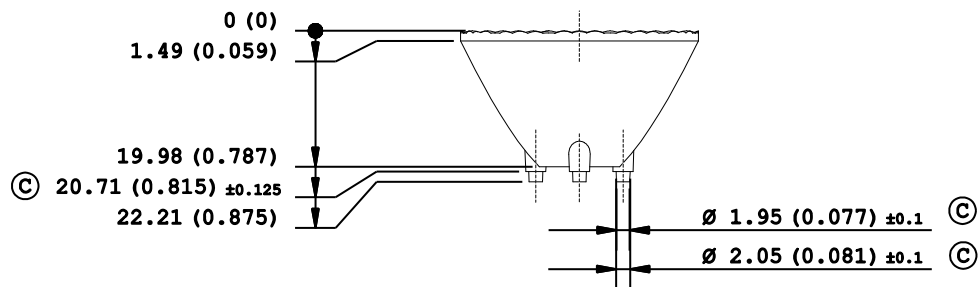
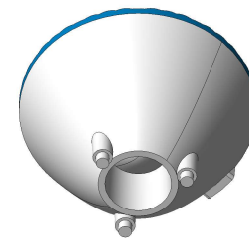
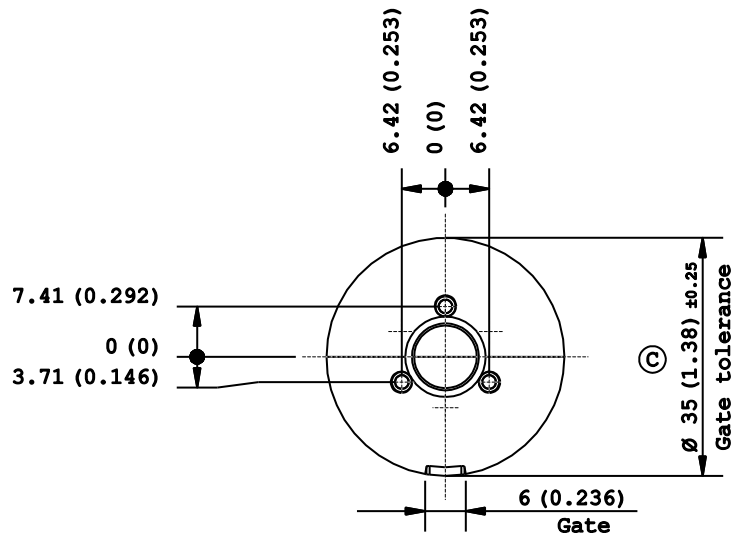


Note:

- Dimensions in inches into brackets
 - For missing dimensions see 3D file
 - WHITE surfaces mirror polished
 - BLUE surfaces embossed 25/27 VDI
 - ORANGE surfaces embossed 15/17 VDI
 - © = Quality Control Dimension (QCD)
- In date 03/12/2020:
- Corrected gate tolerance



'' Project and design owned by Khatod OPTOELECTRONIC s. r. l. ''
 The technical solutions adopted in this design are Khatod intellectual property, they cannot be reproduced and transmitted to third parties without our prior written permission.
 Unauthorized disclosure of confidential proprietary information will be prosecuted by law.

DESCRIPTION : LENS		DESIGNER : LM/DP	PROJECTS : 544_1672
CODE : PL 1672 ME	CHECKED : DP	CONTROLLED : DP	DATA : 24/10/2017 03/12/2020
KHATOD Via Alessandrina, 25 Cusano Milanino MILANO ITALIA WWW.KHATOD.COM	All Dimensions in mm General Tolerances +/-0.20 mm		HEAT TREATMENT: None
			MATERIAL: Pmma 8N
SCALE : 1 : 1			SHEET : 1 of 1