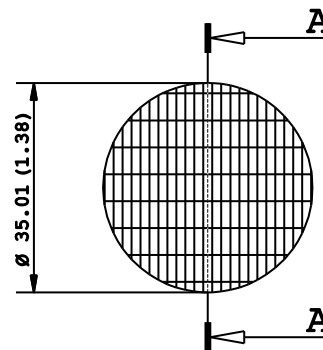
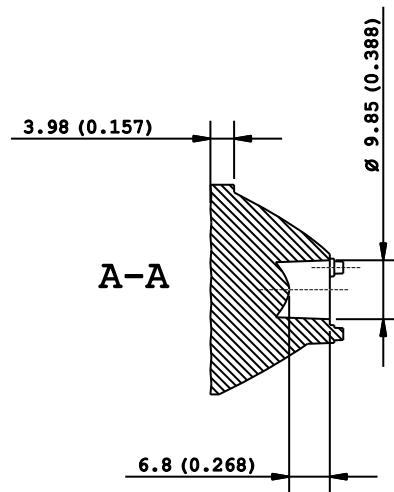
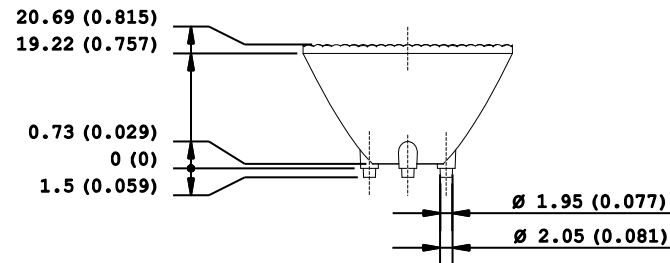
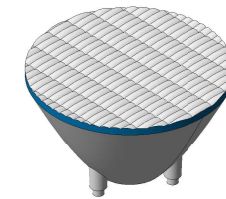
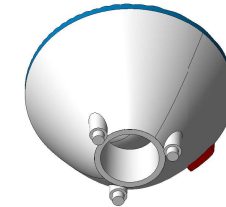
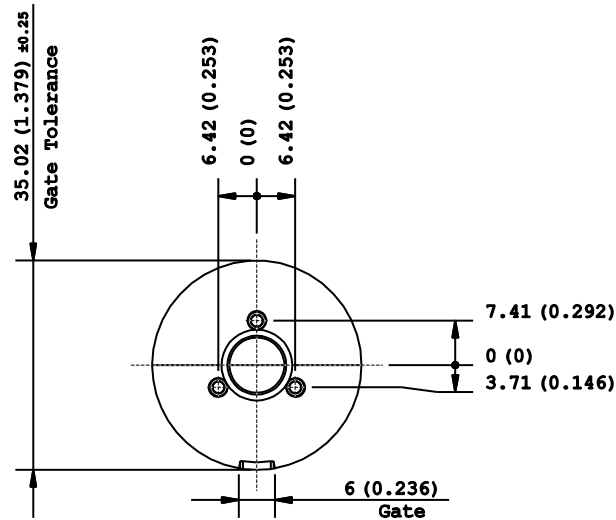


**Note:**

- Dimensions in inches into brackets
- For missing dimensions see 3D file
- WHITE surfaces mirror polished
- BLUE surfaces embossed 21/23 VDI
- RED surface gate area
- In date 03/12/2020:
- Correcetd gate cutting tolerance



<p>" Project and design owned by Khatod OPTOELECTRONIC s. r. l."                  The technical solutions adopted in this design are Khatod intellectual property, they cannot be reproduced and transmitted to third parties without our prior written permission.                  Unauthorized disclosure of confidential proprietary information will be prosecuted by law.</p>			
DESCRIPTION : <b>Lens</b>		DESIGNER : LM/LS	PROJECTS : 544-1672
CODE : <b>PL 1672 EL</b>	CHECKED : LM/LS	CONTROLLED : LS	DATA : 13/03/2020 03/12/2020
<b>KHATOD</b> Via Alessandrina, 25 Cusano Milanino MILANO ITALIA WWW.KHATOD.COM	All Dimensions in mm General Tolerances ISO 2768-m		HEAT TREATMENT: None
			MATERIAL: Pmma 8N
SCALE : 1 . 1			SHEET : 1 of 1