

Light Guides for front panel diam. 2,26mm

Code

Color

KPS169/085

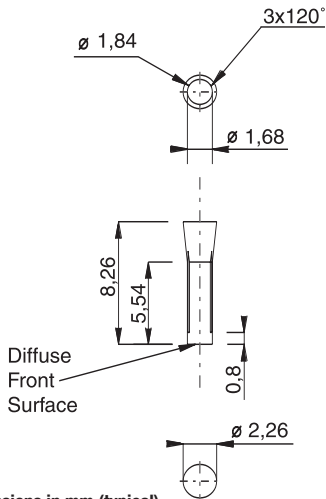
Clear transparent

Hole panel: 1,80 mm 

Panel Thickness: 5,50 mm max

OPTIONS AVAILABLE

- ◆ Different shapes and lengths
- ◆ Different fixing systems on Panel
- ◆ Special color on request.



Dimensions in mm (typical)