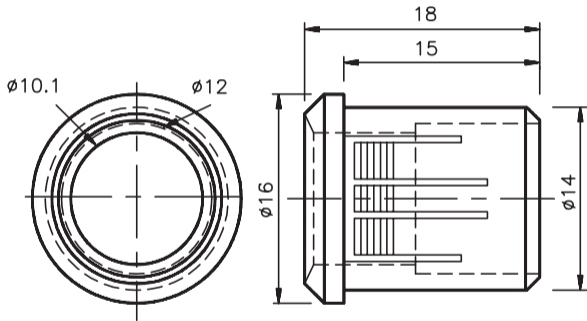


# KPAN010



$\phi$  Hole 14.0 mm

Dimensions in mm (typical)