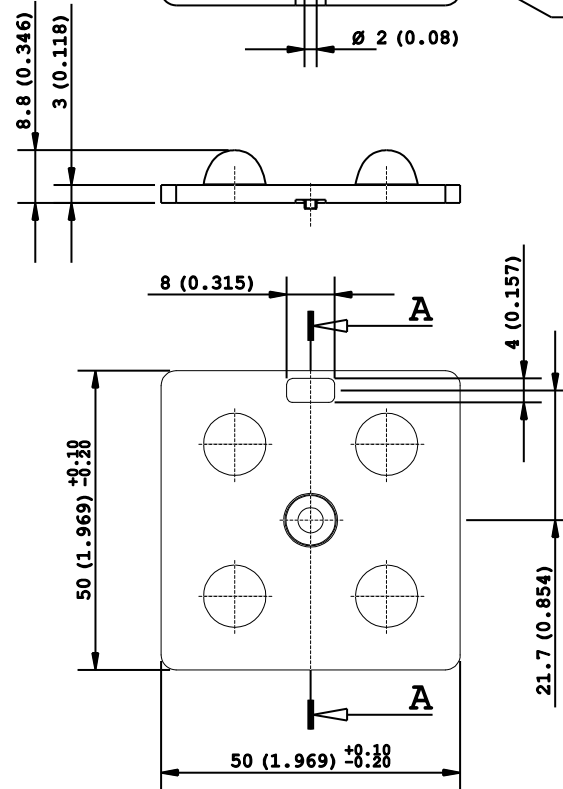
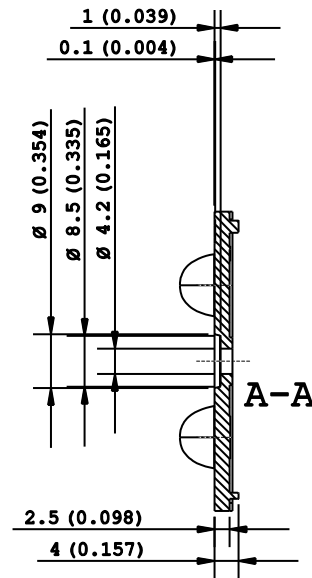
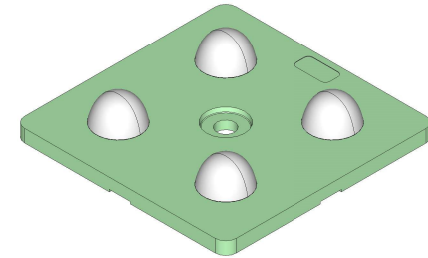
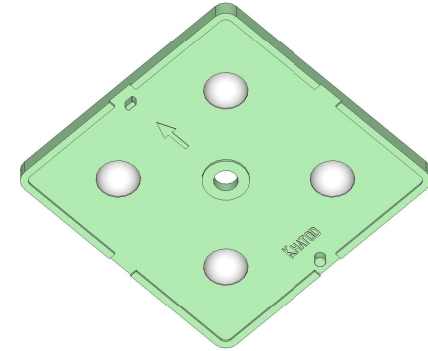
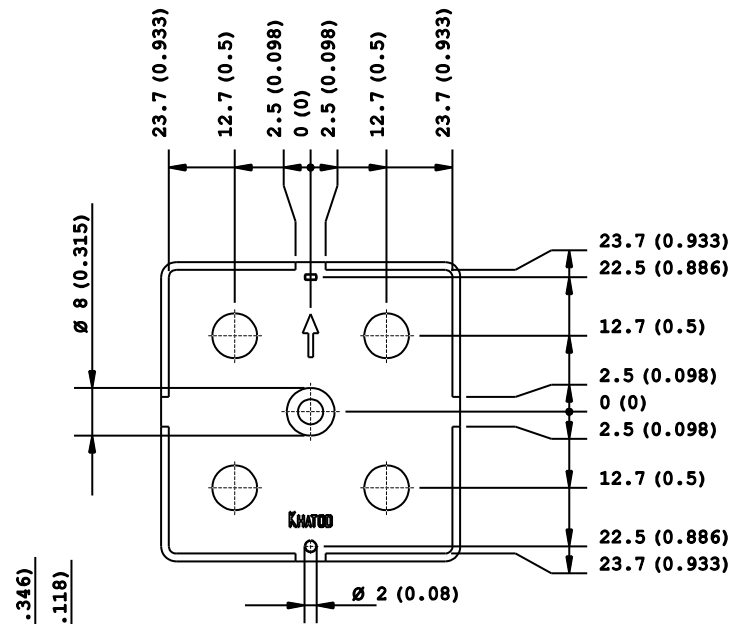


Note:

- Dimensions in inches into brackets
- For missing dimensions see 3D file
- WHITE surfaces have to be mirror polished
- GREEN surfaces have to be finished by sandpaper 800



<p>" Project and design owned by Khatod OPTOELECTRONIC s. r. l." The technical solutions adopted in this design are Khatod intellectual property, they cannot be reproduced and transmitted to third parties without our prior written permission. Unauthorized disclosure of confidential proprietary information will be prosecuted by law.</p>			
DESCRIPTION :		DESIGNER :	PROJECTS :
Lens Module 4 array		LM	527
CODE :	KNAC 0420 ASM	CHECKED :	CONTROLLED:
		LM/SB	GV/SB
		DATA : 02/01/2014	
<p>KHATOD Via Monfalcone, 41 Cinisello Balsamo MILANO ITALIA WWW.KHATOD.COM</p>		<p>All Dimensions in mm General Tolerances +/-0.20 mm</p>	
		<p>HEAT TREATMENT: No One</p>	
		<p>MATERIAL: Optical PMMA</p>	
		<p>SCALE : 1 : 1</p>	
		<p>SHEET : 1 of 1</p>	