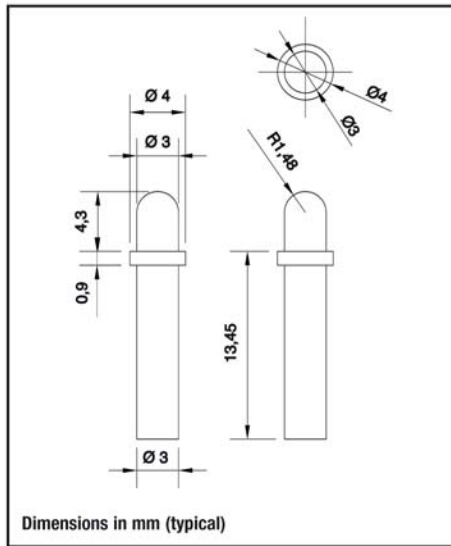


KLP11 series



Material: PC Optics UL94 clear
Operating Temperature -60° $+125^{\circ}\text{C}$
ESD Protection



Code

Color

KLP11

Clear Transparent

Hole panel: 2,95 mm 

Panel Thickness: 2,80 mm max