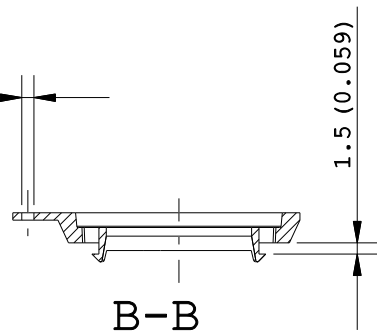
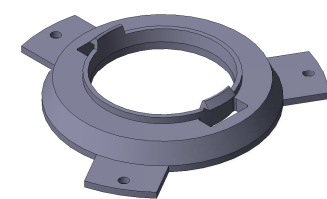
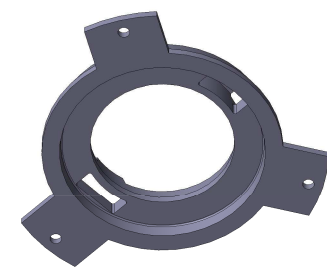
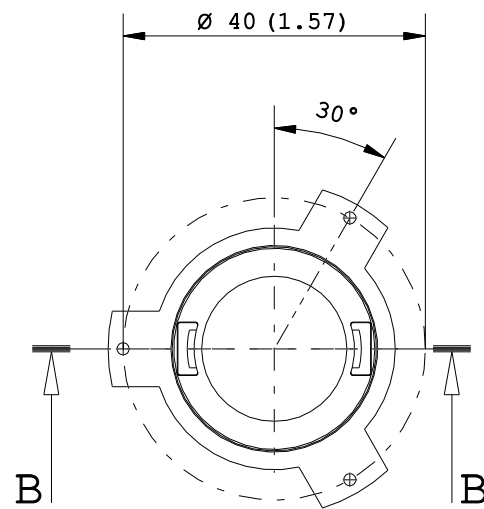


Ø 1.59 (0.063)

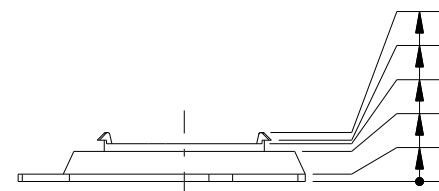


1.5 (0.059)

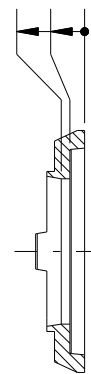
Ø 40 (1.57)



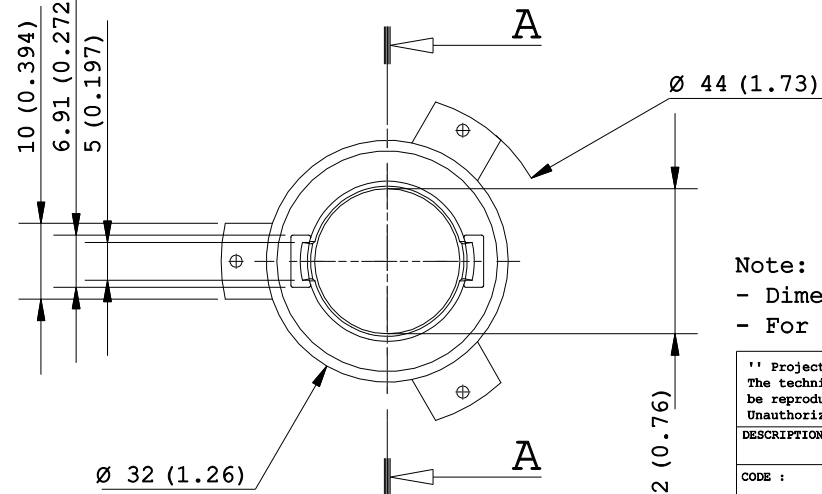
6.49 (0.255)
 5.49 (0.216)
 4.99 (0.197)
 3.99 (0.157)
 1 (0.039)
 0 (0)



3.12 (0.123)
 1.97 (0.078)
 0 (0)



10 (0.394)
 6.91 (0.272)
 5 (0.197)



Note:
 - Dimensions in inches into brackets
 - For missing dimensions see 3D file

" Project and design owned by Khatod OPTOELECTRONIC s. r. l." The technical solutions adopted in this design are Khatod intellectual property, they cannot be reproduced and transmitted to third parties without our prior written permission. Unauthorized disclosure of confidential proprietary information will be prosecuted by law.			
DESCRIPTION :	Adaptor	DESIGNER :	LM
CODE :	KE1950W	CHECKED :	LM
KHATOD Via Monfalcone, 41 Cinisello Balsamo MILANO ITALIA WWW.KHATOD.COM	All Dimensions in mm General Tolerances +/-0.20 mm 	PROJECTS :	Lyra 65
		CONTROLLED:	LM/GV
HEAT TREATMENT:		MATERIAL:	
No One		PC HT WHITE	
SCALE :		SHEET :	
1 : 1		1 of 1	