

A U R O R A



K

khatod.com



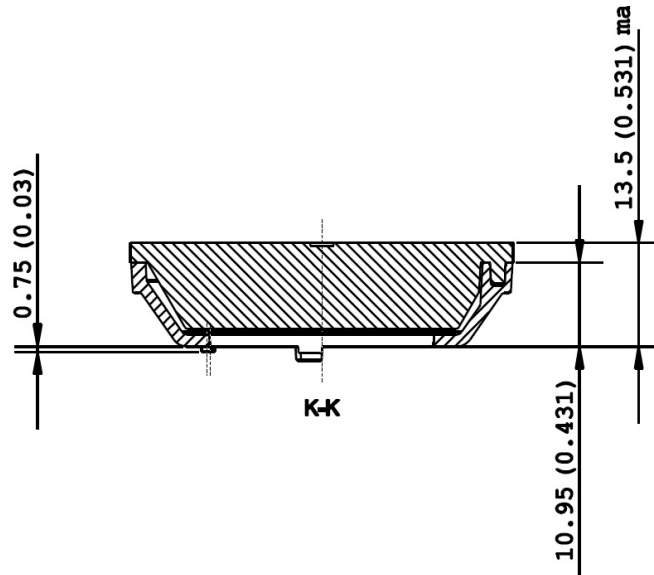
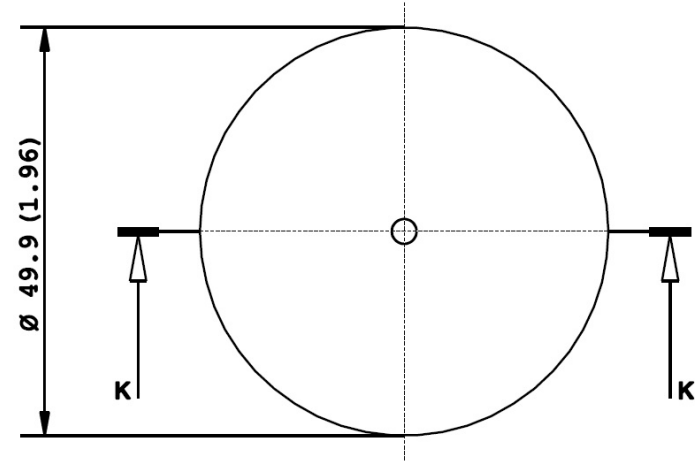
# AURORA50: LOW-PROFILE SPOTLIGHT OPTICS

## PRODUCT OVERVIEW

- $\varnothing$  50mm - height 13.50mm.
- Quick and easy assembly thanks to the presence of the Twist & Lock feature.
- Compliant with Zhaga Book 10 Connectors.
- A single beam family covers a wide range from  $10^\circ$  to  $70^\circ$ .
- Distinctive look while delivering excellent color mixing.
- Ideal for COB LEDs with LES from 4–13 mm in diameter.
- Compatible with White, Tunable White & Dim-to-Warm COB LEDs.

## Applications

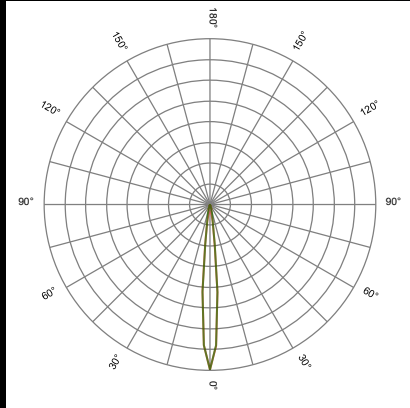
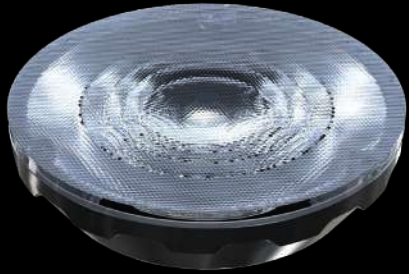
- **Retail spotlights:** highlight shelves, displays and merchandise with concentrated, uniform light; equally suited to museum and accent lighting.
- **Indoor downlights:** ceiling-mounted comfort lighting for interior spaces, with high uniformity and low glare.
- **Large spaces:** wider beams cover large halls and entrance areas (e.g. train-station and museum entrance halls, hotel lobbies), where high light output and uniformity are required.



# AURORA50 OPTICS

- **Wide beam range:** 10°–70° from a single 50 mm family — no need to switch platform between accent and wash.
- **CBCP-optimized beams:** strong central beam intensity keeps lux levels on target high — in some cases higher than those of nominally more efficient optics.
- **Visual comfort:** narrow beams can be shaded at the sides; wide beams retain high uniformity, with good UGR levels (16–19) at typical flux levels.

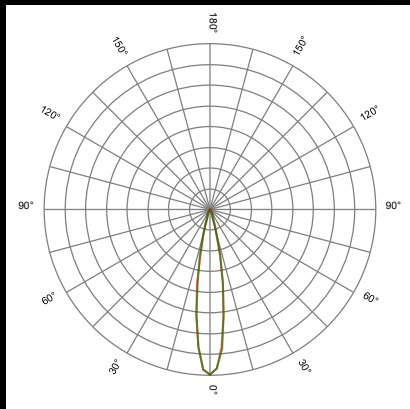
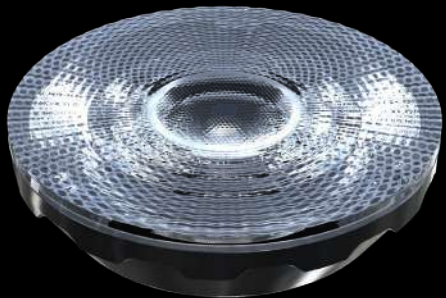
## AURORA50/NA



- Full angle at 50% from maximum:  $\sim 10^\circ$
- Full angle at 10% from maximum:  $\sim 20^\circ$
- For retail and museum accent lighting.
- Very high CBCP (15,000 cd/klm) & shadeable for maximum visual comfort.
- Best with 4 mm LES CoBs.



## AURORA50/ME

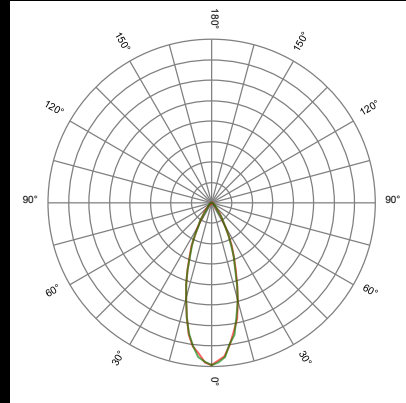


- Full angle at 50% from maximum:  $\sim 20^\circ$
- Full angle at 10% from maximum:  $\sim 35^\circ$
- For Retail lighting.
- Concentrated, uniform light on shelves and displays.



# AURORA50 OPTICS

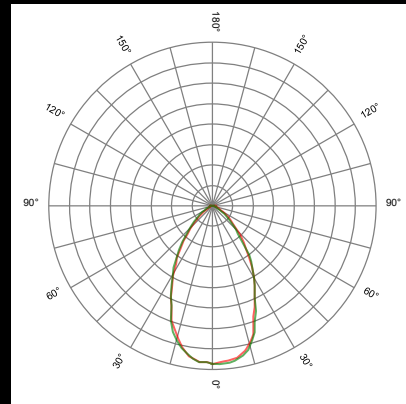
## AURORA50/WI



- Full angle at 50% from maximum:  $\sim 40^\circ$
- Full angle at 10% from maximum:  $\sim 70^\circ$
- Retail and downlight use.
- In ceiling-mounted luminaires it offers good visual comfort, with UGR levels of 16–19 at typical flux of 1,000–2,000 lm.



## AURORA50/EW

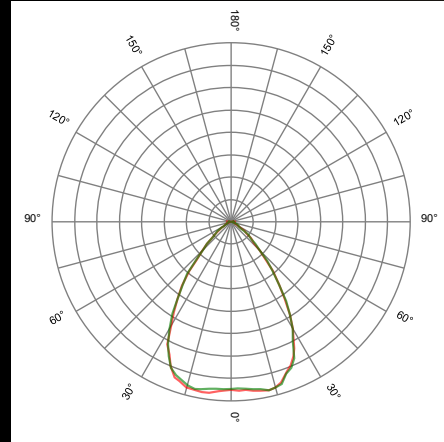
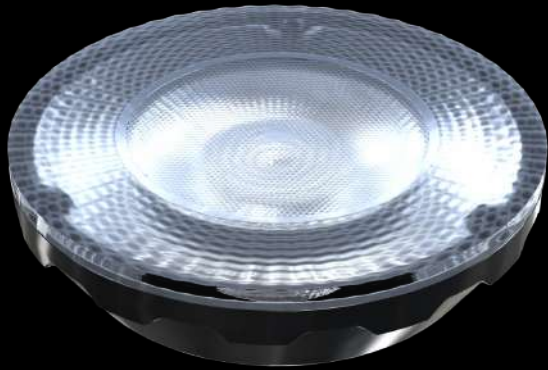


- Full angle at 50% from maximum:  $\sim 55^\circ$
- Full angle at 10% from maximum:  $\sim 100^\circ$
- Downlights for large halls.  
(e.g. station/museum entrance halls, hotel lobbies).
- Retains high uniformity.



# AURORA50 OPTICS

## AURORA50/UW



- Full angle at 50% from maximum:  $\sim 70^\circ$
- Full angle at 10% from maximum:  $\sim 100^\circ$

- The sweet spot between wide coverage and visual comfort.
- Ideal for larger areas or lower floor-to-ceiling heights where uniformity is needed.

## TECHNICAL DATA

### BEAM ANGLES BY CoB LES

Model	4 mm	6 mm	9 mm
AURORA50/NA	10°	–	–
AURORA50/ME	–	14°	20°
AURORA50/WI	–	35°	35°
AURORA50/EW	–	60°	60°
AURORA50/UW	–	70°	70°

*Beam angle in degrees, by CoB LES (light-emitting surface). Beams are largely preserved across CoB sizes; the NA beam is best used with 4 mm LES CoBs.*

## KEY SPECIFICATIONS

- **Dimensions:** Ø 50 mm × 13.5 mm (low-profile format).
- **Beam angle range:** 10° – 70°, across 5 variants (NA, ME, WI, EW, UW).
- **Optical efficiency:** 88–91% — deliberately traded for optical control and color quality; on-target lux is maintained through high CBCP.
- **CBCP:** up to 15,000 cd/klm (AURORA50/NA).
- **UGR:** 16–19 at 1,000–2,000 lm (AURORA50/WI).
- **Compatible CoB LES sizes:** 4, 6, 9 and 13.5 mm.
- **Lens material:** optical-grade PMMA.
- **Holder material:** polycarbonate (PC), HB class.
- **Certifications:** UL94 HB; UL94 746C (f1).
- **Production:** injection molding, enabling fine optical micro-structuring and repeatability.

## COMPATIBILITY & INTEGRATION

- AURORA50 works with standard B35-interface CoB connectors in 35 mm diameter, fixed with a quick and secure Twist&Lock.
- It is compatible with the widely used BJB CoB connectors (35 mm), as well as with Bender+Wirth connectors and Bridgelux solderless holders.
- The exact connector code is selected according to the CoB used, since the connector backside dimensions depend on the CoB substrate.
- The holder attaches to B35-interface connectors and, together with the low-profile body (13.5 mm height), lets AURORA50 fit common downlights and spotlights — leaving room for additional shading elements, reflectors or aesthetic components on top of the optic.



# OPTICAL & MECHANIC DESIGN & CUSTOM PROJECTS



1  
SEND YOUR IDEA



2  
OPTICAL &  
MECHANICAL  
ANALYSIS



3  
OPTICAL  
DEVELOPMENT



4  
MOLD  
CONSTRUCTION



5  
SAMPLING  
& SERIAL  
PRODUCTION



6  
ESD AREA  
OPTICAL MOUNTING

- Engineering, Design and Production of moulds and equipment.
- **100 % in-house.**
- Manufacturing area of over 21,000 sqm.
- 100+ EP Designs issued.
- ISO 9001:2015 Certification.
- Dedicated Optical and Mechanical support.



# K

khatod.com

*We Manufacture Solutions*

**HEADQUARTERS**

Via Alessandrina 25, Cusano Milanino, (Milan) Italy - Phone +39 02 66013695 - Fax +39 02 66013500 - [khatod@khatod.com](mailto:khatod@khatod.com) - [www.khatod.com](http://www.khatod.com)

**USA**

[khatodusa@khatod.com](mailto:khatodusa@khatod.com)

**INDIA**

[khatodindia@khatod.com](mailto:khatodindia@khatod.com)