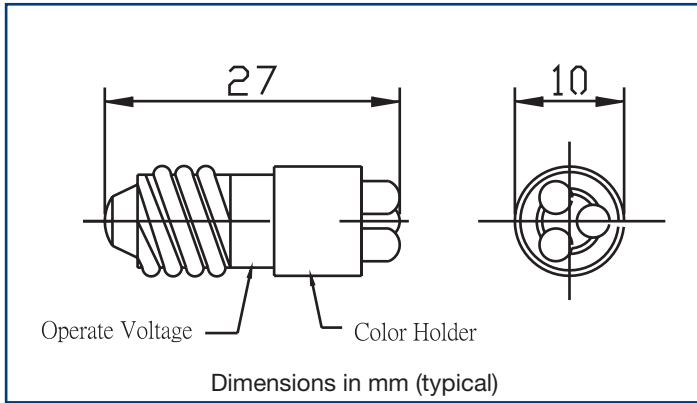
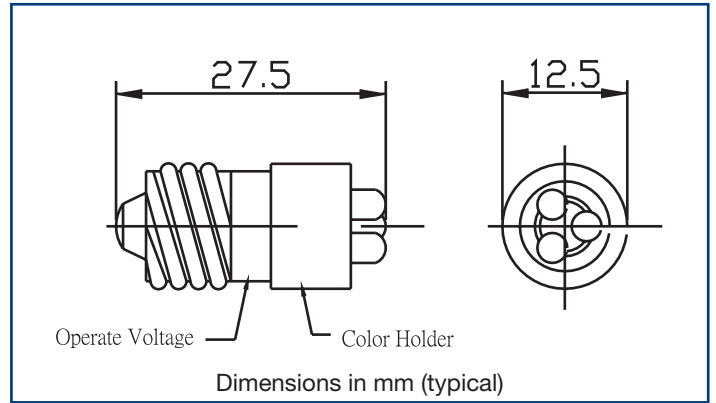


**K31XXXBLLS**



**E10 Bases**

**K32XXXBLLS**



**E12 Bases**

Code	Emitting color + Material	Wave length (nm)	Lens Type	Operate Voltage (V)	Lumi.Intensity @ VIN (mcd)		Forward Current@VIN (mA) Typ	VDC VAC
					Min	Typ		
K31R06BLLS	Red/AlGaInP	628	Water Clear	06	15000	21000	72	
K31R24BLLS	Red/AlGaInP	628	Water Clear	24	15000	21000	20	
K31R110BLLS	Red/AlGaInP	628	Water Clear	110	2500	3500	4.8	
K31R220BLLS	Red/AlGaInP	628	Water Clear	220	1000	1500	2.5	
K31Y06BLLS	Yellow/AlGaInP	588	Water Clear	06	15000	21000	72	
K31Y24BLLS	Yellow/AlGaInP	588	Water Clear	24	15000	21000	20	
K31Y110BLLS	Yellow/AlGaInP	588	Water Clear	110	2500	3500	4.8	
K31Y220BLLS	Yellow/AlGaInP	588	Water Clear	220	1000	1500	2.5	
K31G06BLLS	Green / InGaN/SiC	525	Water Clear	06	12000	17000	65	
K31G24BLLS	Green / InGaN/SiC	525	Water Clear	24	12000	17000	20	
K31G110BLLS	Green / InGaN/SiC	525	Water Clear	110	2000	3000	4.8	Bi-polar
K31G220BLLS	Green / InGaN/SiC	525	Water Clear	220	900	1400	2.5	
K31U06BLLS	Blue / InGaN/SiC	470	Water Clear	06	3000	4500	65	
K31U24BLLS	Blue / InGaN/SiC	470	Water Clear	24	3000	4500	20	
K31U110BLLS	Blue / InGaN/SiC	470	Water Clear	110	500	800	4.8	
K31U220BLLS	Blue / InGaN/SiC	470	Water Clear	220	200	350	2.5	
K31W06BLLS	White / InGaN/SiC	X=0.31 Y=0.32	Water Clear	06	7200	10000	65	
K31W24BLLS	White / InGaN/SiC	X=0.31 Y=0.32	Water Clear	24	7200	10000	20	
K31W110BLLS	White / InGaN/SiC	X=0.31 Y=0.32	Water Clear	110	1300	1800	4.5	
K31W220BLLS	White / InGaN/SiC	X=0.31 Y=0.32	Water Clear	220	550	750	2.5	
K32R06BLLS	Red/AlGaInP	628	Water Clear	06	15000	21000	72	
K32R24BLLS	Red/AlGaInP	628	Water Clear	24	15000	21000	20	
K32R110BLLS	Red/AlGaInP	628	Water Clear	110	2500	3500	4.8	
K32R220BLLS	Red/AlGaInP	628	Water Clear	220	1000	1500	2.5	
K32Y06BLLS	Yellow/AlGaInP	588	Water Clear	06	15000	21000	72	
K32Y24BLLS	Yellow/AlGaInP	588	Water Clear	24	15000	21000	20	
K32Y110BLLS	Yellow/AlGaInP	588	Water Clear	110	2500	3500	4.8	
K32Y220BLLS	Yellow/AlGaInP	588	Water Clear	220	1000	1500	2.5	
K32G06BLLS	Green / InGaN/SiC	525	Water Clear	06	12000	17000	65	
K32G24BLLS	Green / InGaN/SiC	525	Water Clear	24	12000	17000	20	
K32G110BLLS	Green / InGaN/SiC	525	Water Clear	110	2000	3000	4.8	Bi-polar
K32G220BLLS	Green / InGaN/SiC	525	Water Clear	220	900	1400	2.5	
K32U06BLLS	Blue / InGaN/SiC	470	Water Clear	06	3000	4500	65	
K32U24BLLS	Blue / InGaN/SiC	470	Water Clear	24	3000	4500	20	
K32U110BLLS	Blue / InGaN/SiC	470	Water Clear	110	500	800	4.8	
K32U220BLLS	Blue / InGaN/SiC	470	Water Clear	220	200	350	2.5	
K32W06BLLS	White / InGaN/SiC	X=0.31 Y=0.32	Water Clear	06	7200	10000	65	
K32W24BLLS	White / InGaN/SiC	X=0.31 Y=0.32	Water Clear	24	7200	10000	20	
K32W110BLLS	White / InGaN/SiC	X=0.31 Y=0.32	Water Clear	110	1300	1800	4.5	
K32W220BLLS	White / InGaN/SiC	X=0.31 Y=0.32	Water Clear	220	550	750	2.5	

All items listed in this page are for you reference only- we have a wide range of LED lamps available (more than 30 base size models & 200 base type models in 9 colors).

Therefore for any requirement you may have , we please you to let us have your request and we will immediately provide to send you drawings of our compatible model.