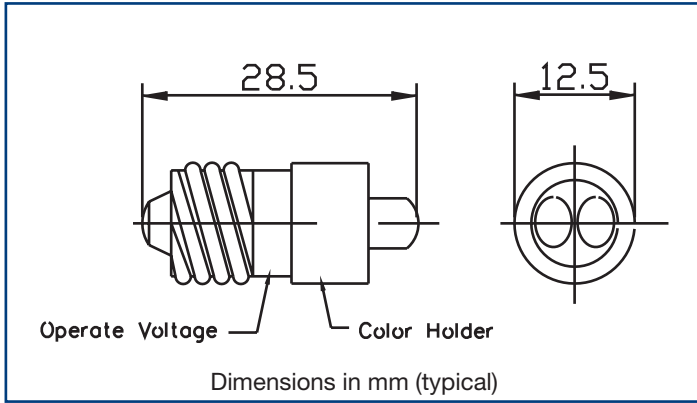
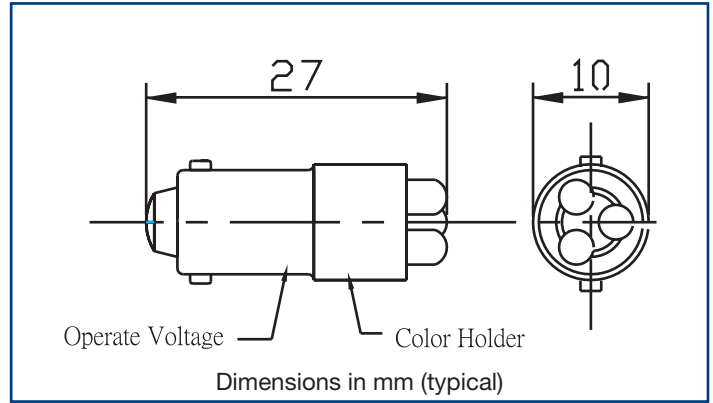


K22XXXBLLS



E12 Bases

K30XXXBLLB



Ba9s Bases

Code	Emitting color + Material	Wave length (nm)	Lens Type	Operate Voltage (V)	Lumi.Intensity @ VIN (mcd)		Forward Current@VIN (mA)	VDC VAC
					Min	Typ		
K22R06BLLS	Red/AlGaInP	628	Red	06	5600	8000	40	Bi-polar
K22R24BLLS	Red/AlGaInP	628	Red	24	5600	8000	20	
K22R110BLLS	Red/AlGaInP	628	Red	110	1000	1400	4.8	
K22R220BLLS	Red/AlGaInP	628	Red	220	400	600	2.5	
K22Y06BLLS	Yellow/AlGaInP	588	Yellow	06	5200	7500	40	
K22Y24BLLS	Yellow/AlGaInP	588	Yellow	24	5200	7500	20	
K22Y110BLLS	Yellow/AlGaInP	588	Yellow	110	900	1300	4.8	
K22Y220BLLS	Yellow/AlGaInP	588	Yellow	220	350	550	2.5	
K22G06BLLS	Green / InGaN/SiC	525	Green	06	6300	9000	40	
K22G24BLLS	Green / InGaN/SiC	525	Green	24	6300	9000	20	
K22G110BLLS	Green / InGaN/SiC	525	Green	110	1100	1600	4.8	
K22G220BLLS	Green / InGaN/SiC	525	Green	220	500	700	2.5	
K22U06BLLS	Blue / InGaN/SiC	470	Blue	06	1400	2000	40	
K22U24BLLS	Blue / InGaN/SiC	470	Blue	24	1400	2000	20	
K22U110BLLS	Blue / InGaN/SiC	470	Blue	110	250	350	4.8	
K22U220BLLS	Blue / InGaN/SiC	470	Blue	220	100	150	2.5	
K22W06BLLS	White / InGaN/SiC	X=0.31 Y=0.32	White	06	2400	3500	40	
K22W24BLLS	White / InGaN/SiC	X=0.31 Y=0.32	White	24	2400	3500	20	
K22W110BLLS	White / InGaN/SiC	X=0.31 Y=0.32	White	110	400	600	4.8	
K22W220BLLS	White / InGaN/SiC	X=0.31 Y=0.32	White	220	200	250	2.5	
K30R06BLLB	Red/AlGaInP	628	Water Clear	06	15000	21000	72	Bi-polar
K30R24BLLB	Red/AlGaInP	628	Water Clear	24	15000	21000	20	
K30R110BLLB	Red/AlGaInP	628	Water Clear	110	2500	3500	4.8	
K30R220BLLB	Red/AlGaInP	628	Water Clear	220	1000	1500	2.5	
K30Y06BLLB	Yellow/AlGaInP	588	Water Clear	06	15000	21000	72	
K30Y24BLLB	Yellow/AlGaInP	588	Water Clear	24	15000	21000	20	
K30Y110BLLB	Yellow/AlGaInP	588	Water Clear	110	2500	3500	4.8	
K30Y220BLLB	Yellow/AlGaInP	588	Water Clear	220	1000	1500	2.5	
K30G06BLLB	Green / InGaN/SiC	525	Water Clear	06	12000	17000	65	
K30G24BLLB	Green / InGaN/SiC	525	Water Clear	24	12000	17000	20	
K30G110BLLB	Green / InGaN/SiC	525	Water Clear	110	2000	3000	4.8	
K30G220BLLB	Green / InGaN/SiC	525	Water Clear	220	900	1400	2.5	
K30U06BLLB	Blue / InGaN/SiC	470	Water Clear	06	3000	4500	65	
K30U24BLLB	Blue / InGaN/SiC	470	Water Clear	24	3000	4500	20	
K30U110BLLB	Blue / InGaN/SiC	470	Water Clear	110	500	800	4.8	
K30U220BLLB	Blue / InGaN/SiC	470	Water Clear	220	200	350	2.5	
K30W06BLLB	White / InGaN/SiC	X=0.31 Y=0.32	Water Clear	06	7200	10000	65	
K30W24BLLB	White / InGaN/SiC	X=0.31 Y=0.32	Water Clear	24	7200	10000	20	
K30W110BLLB	White / InGaN/SiC	X=0.31 Y=0.32	Water Clear	110	1300	1800	4.5	
K30W220BLLB	White / InGaN/SiC	X=0.31 Y=0.32	Water Clear	220	550	750	2.5	

All items listed in this page are for you reference only- we have a wide range of LED lamps available (more than 30 base size models & 200 base type models in 9 colors).

Therefore for any requirement you may have , we please you to let us have your request and we will immediately provide to send you drawings of our compatible model.