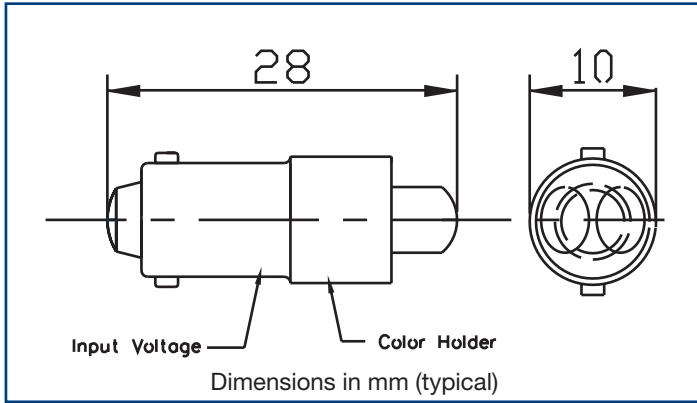
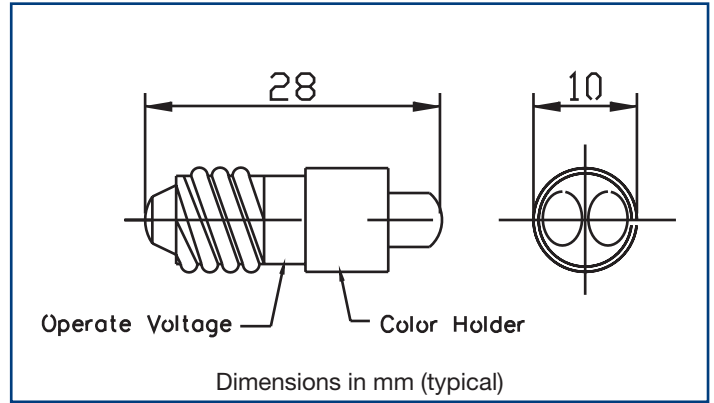


K20XXXBLLB



Ba9s Bases

K21XXXBLLS



E10 Bases

Code	Emitting color + Material	Wave length (nm)	Lens Type	Operate Voltage (V)	Lumi.Intensity @ VIN (mcd)		Forward Current@VIN (mA)	VDC VAC
					Min	Typ		
K20R06BLLB	Red/AlGaInP	628	Red	06	5600	8000	40	Bi-polar
K20R24BLLB	Red/AlGaInP	628	Red	24	5600	8000	20	
K20R110BLLB	Red/AlGaInP	628	Red	110	1000	1400	4.8	
K20R220BLLB	Red/AlGaInP	628	Red	220	400	600	2.5	
K20Y06BLLB	Yellow/AlGaInP	588	Yellow	06	5200	7500	40	
K20Y24BLLB	Yellow/AlGaInP	588	Yellow	24	5200	7500	20	
K20Y110BLLB	Yellow/AlGaInP	588	Yellow	110	900	1300	4.8	
K20Y220BLLB	Yellow/AlGaInP	588	Yellow	220	350	550	2.5	
K20G06BLLB	Green / InGaN/SiC	525	Green	06	6300	9000	40	
K20G24BLLB	Green / InGaN/SiC	525	Green	24	6300	9000	20	
K20G110BLLB	Green / InGaN/SiC	525	Green	110	1100	1600	4.8	
K20G220BLLB	Green / InGaN/SiC	525	Green	220	500	700	2.5	
K20U06BLLB	Blue / InGaN/SiC	470	Blue	06	1400	2000	40	
K20U24BLLB	Blue / InGaN/SiC	470	Blue	24	1400	2000	20	
K20U110BLLB	Blue / InGaN/SiC	470	Blue	110	250	350	4.8	
K20U220BLLB	Blue / InGaN/SiC	470	Blue	220	100	150	2.5	
K20W06BLLB	White / InGaN/SiC	X=0.31 Y=0.32	White	06	2400	3500	40	
K20W24BLLB	White / InGaN/SiC	X=0.31 Y=0.32	White	24	2400	3500	20	
K20W110BLLB	White / InGaN/SiC	X=0.31 Y=0.32	White	110	400	600	4.8	
K20W220BLLB	White / InGaN/SiC	X=0.31 Y=0.32	White	220	200	250	2.5	
K21R06BLLS	Red/AlGaInP	628	Red	06	5600	8000	40	Bi-polar
K21R24BLLS	Red/AlGaInP	628	Red	24	5600	8000	20	
K21R110BLLS	Red/AlGaInP	628	Red	110	1000	1400	4.8	
K21R220BLLS	Red/AlGaInP	628	Red	220	400	600	2.5	
K21Y06BLLS	Yellow/AlGaInP	588	Yellow	06	5200	7500	40	
K21Y24BLLS	Yellow/AlGaInP	588	Yellow	24	5200	7500	20	
K21Y110BLLS	Yellow/AlGaInP	588	Yellow	110	900	1300	4.8	
K21Y220BLLS	Yellow/AlGaInP	588	Yellow	220	350	550	2.5	
K21G06BLLS	Green / InGaN/SiC	525	Green	06	6300	9000	40	
K21G24BLLS	Green / InGaN/SiC	525	Green	24	6300	9000	20	
K21G110BLLS	Green / InGaN/SiC	525	Green	110	1100	1600	4.8	
K21G220BLLS	Green / InGaN/SiC	525	Green	220	500	700	2.5	
K21U06BLLS	Blue / InGaN/SiC	470	Blue	06	1400	2000	40	
K21U24BLLS	Blue / InGaN/SiC	470	Blue	24	1400	2000	20	
K21U110BLLS	Blue / InGaN/SiC	470	Blue	110	250	350	4.8	
K21U220BLLS	Blue / InGaN/SiC	470	Blue	220	100	150	2.5	
K21W06BLLS	White / InGaN/SiC	X=0.31 Y=0.32	White	06	2400	3500	40	
K21W24BLLS	White / InGaN/SiC	X=0.31 Y=0.32	White	24	2400	3500	20	
K21W110BLLS	White / InGaN/SiC	X=0.31 Y=0.32	White	110	400	600	4.8	
K21W220BLLS	White / InGaN/SiC	X=0.31 Y=0.32	White	220	200	250	2.5	

All items listed in this page are for you reference only- we have a wide range of LED lamps available (more than 30 base size models & 200 base type models in 9 colors).

Therefore for any requirement you may have , we please you to let us have your request and we will immediately provide to send you drawings of our compatible model.