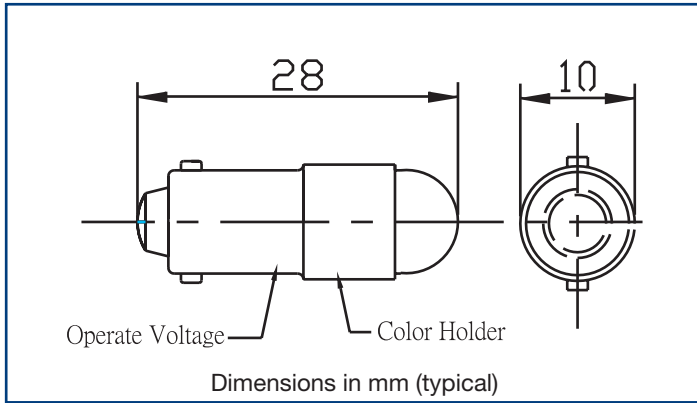
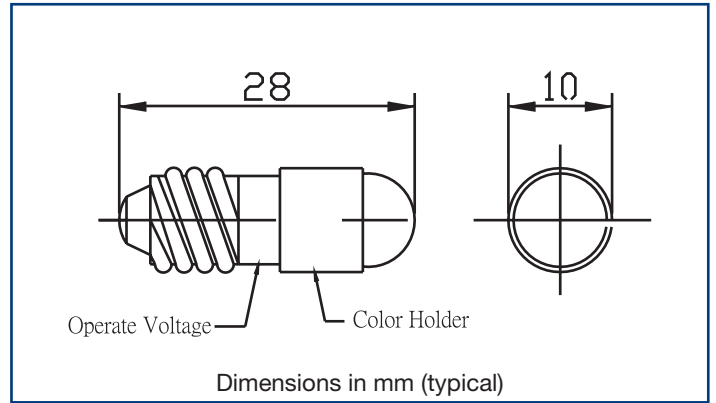


**K13XXXBLLB**



**Ba9s Bases**

**K14XXXBLLS**



**E10 Bases**

Code	Emitting color + Material	Wave length (nm)	Lens Type	Operate Voltage (V)	Lumi.Intensity @ VIN (mcd)		Forward Current@VIN (mA) Typ	VDC VAC  Bi-polar
					Min	Typ		
K13R06BLLB	Red/AlGaInP	630	Red	06	400	550	17	Bi-polar
K13R24BLLB	Red/AlGaInP	630	Red	24	300	400	14	
K13R110BLLB	Red/AlGaInP	630	Red	110	70	100	4.8	
K13R220BLLB	Red/AlGaInP	630	Red	220	30	50	2.5	
K13Y06BLLB	Yellow/AlGaInP	587	Yellow	06	400	550	17	
K13Y24BLLB	Yellow/AlGaInP	587	Yellow	24	300	400	14	
K13Y110BLLB	Yellow/AlGaInP	587	Yellow	110	70	100	4.8	
K13Y220BLLB	Yellow/AlGaInP	587	Yellow	220	30	50	2.5	
K13G06BLLB	Green / InGaN/SiC	525	Green	06	250	350	9	
K13G24BLLB	Green / InGaN/SiC	525	Green	24	500	800	14	
K13G110BLLB	Green / InGaN/SiC	525	Green	110	200	130	4.8	
K13G220BLLB	Green / InGaN/SiC	525	Green	220	50	70	2.5	
K13U06BLLB	Blue / InGaN/SiC	470	Blue	06	250	350	9	
K13U24BLLB	Blue / InGaN/SiC	470	Blue	24	400	550	14	
K13U110BLLB	Blue / InGaN/SiC	470	Blue	110	70	100	4.8	
K13U220BLLB	Blue / InGaN/SiC	470	Blue	220	30	50	2.5	
K13W06BLLB	White / InGaN/SiC	X=0.31 Y=0.32	White	06	250	350	9	
K13W24BLLB	White / InGaN/SiC	X=0.31 Y=0.32	White	24	500	800	14	
K13W110BLLB	White / InGaN/SiC	X=0.31 Y=0.32	White	110	100	130	4.8	
K13W220BLLB	White / InGaN/SiC	X=0.31 Y=0.32	White	220	30	50	2.5	
K14R06BLLS	Red/AlGaInP	630	Red	06	400	550	17	Bi-polar
K14R24BLLS	Red/AlGaInP	630	Red	24	300	400	14	
K14R110BLLS	Red/AlGaInP	630	Red	110	70	100	4.8	
K14R220BLLS	Red/AlGaInP	630	Red	220	30	50	2.5	
K14Y06BLLS	Yellow/AlGaInP	587	Yellow	06	400	550	17	
K14Y24BLLS	Yellow/AlGaInP	587	Yellow	24	300	400	14	
K14Y110BLLS	Yellow/AlGaInP	587	Yellow	110	70	100	4.8	
K14Y220BLLS	Yellow/AlGaInP	587	Yellow	220	30	50	2.5	
K14G06BLLS	Green / InGaN/SiC	525	Green	06	250	350	9	
K14G24BLLS	Green / InGaN/SiC	525	Green	24	500	800	14	
K14G110BLLS	Green / InGaN/SiC	525	Green	110	200	130	4.8	
K14G220BLLS	Green / InGaN/SiC	525	Green	220	50	70	2.5	
K14U06BLLS	Blue / InGaN/SiC	470	Blue	06	250	350	9	
K14U24BLLS	Blue / InGaN/SiC	470	Blue	24	400	550	14	
K14U110BLLS	Blue / InGaN/SiC	470	Blue	110	70	100	4.8	
K14U220BLLS	Blue / InGaN/SiC	470	Blue	220	30	50	2.5	
K14W06BLLS	White / InGaN/SiC	X=0.31 Y=0.32	White	06	250	350	9	
K14W24BLLS	White / InGaN/SiC	X=0.31 Y=0.32	White	24	500	800	14	
K14W110BLLS	White / InGaN/SiC	X=0.31 Y=0.32	White	110	100	130	4.8	
K14W220BLLS	White / InGaN/SiC	X=0.31 Y=0.32	White	220	30	50	2.5	

All items listed in this page are for you reference only- we have a wide range of LED lamps available (more than 30 base size models & 200 base type models in 9 colors).

Therefore for any requirement you may have , we please you to let us have your request and we will immediately provide to send you drawings of our compatible model.