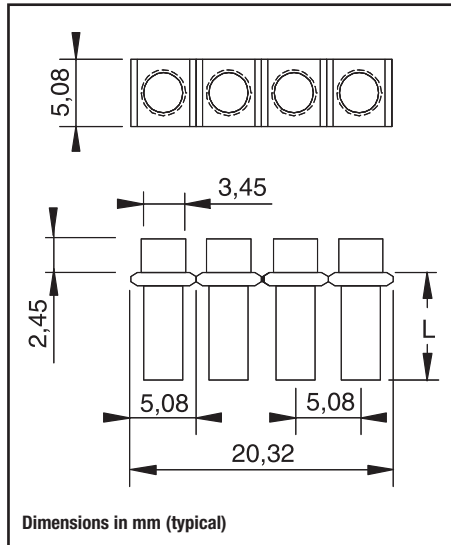



Material: PC Optics UL94 clear
Operating Temperature -60° +125°C
ESD Protection



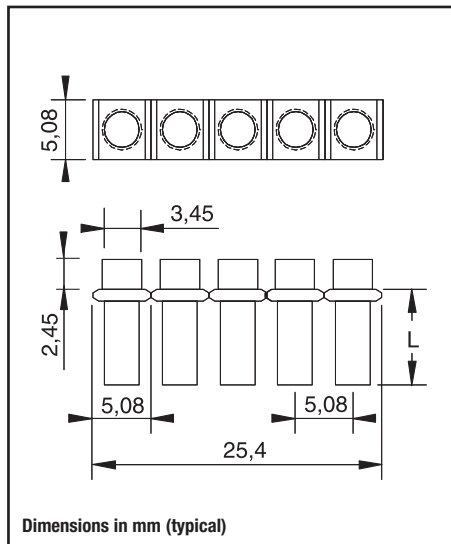
KT04 series

Code	Length (L)
KT04-02	2 mm
KT04-04	4 mm
KT04-054	5,4 mm
KT04-06	6 mm
KT04-075	7,5 mm
KT04-085	8,5 mm
KT04-10	10 mm
KT04-13	13 mm
KT04-15	15 mm

Hole: 3,40 mm  Panel: 2,45 mm




Material: PC Optics UL94 clear
Operating Temperature -60° +125°C
ESD Protection



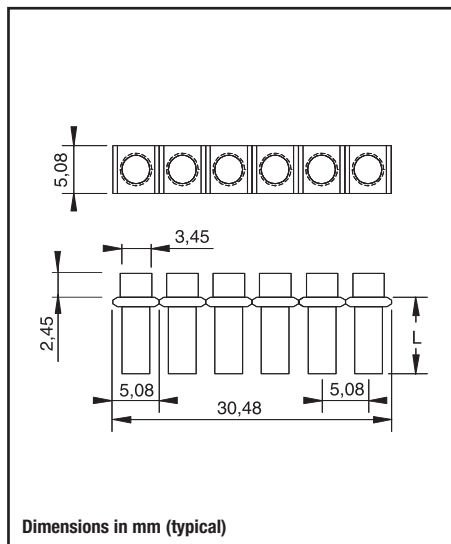
KT05 series

Code	Length (L)
KT05-02	2 mm
KT05-04	4 mm
KT05-054	5,4 mm
KT05-06	6 mm
KT05-075	7,5 mm
KT05-085	8,5 mm
KT05-10	10 mm
KT05-13	13 mm
KT05-15	15 mm

Hole: 3,40 mm  Panel: 2,45 mm




Material: PC Optics UL94 clear
Operating Temperature -60° +125°C
ESD Protection



KT06 series

Code	Length (L)
KT06-02	2 mm
KT06-04	4 mm
KT06-054	5,4 mm
KT06-06	6 mm
KT06-075	7,5 mm
KT06-085	8,5 mm
KT06-10	10 mm
KT06-13	13 mm
KT06-15	15 mm

Hole: 3,40 mm  Panel: 2,45 mm