

Make up your code

| | | | | | | |
|-----------|--|--------------|--|-------------|--|--|
| <u>KS</u> | <u>X</u> | <u>20</u> | <u>X</u> | <u>XXX</u> | <u>XX</u> | <u>XXX</u> |
| Series | 1 = concave 2 = convex 3 = plane | LED diameter | N = Natural chrome finish B = Black chrome finish | LED code | Operating Voltage 02* 05 12 24 48 | Cable length** (Standard 200 mm) |

* not available for BLUE and WHITE

** without cable = Z

| LED Code | Material | Wave length (nm) Color | Lens Type | Iv (mcd) @ 20mA | | Viewing Angle 2Θ |
|----------|-----------|---------------------------|-----------------|-----------------|-----|---------------------|
| | | | | Min | Typ | |
| E01 | GaAsP/GaP | 625/Red | Red Diffused | 10 | 45 | 120° |
| E02 | GaP | 565/Green | Green Diffused | 8 | 40 | 120° |
| E03 | GaAsP/GaP | 590/Yellow | Yellow Diffused | 6 | 30 | 120° |
| E04 | GaAsP/GaP | 625/Orange | Orange Diffused | 10 | 45 | 120° |

All models listed in this page are referred to the SUPER-STANDARD series only.

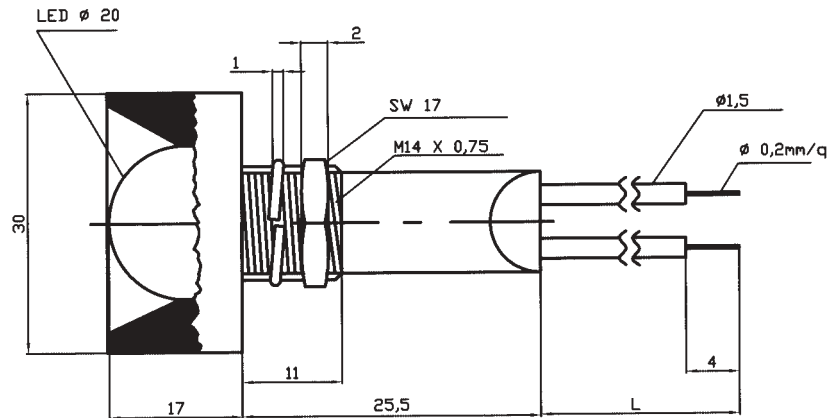
We can supply you with custom devices in a short time and at competitive prices as follows:

- ◆ 3.000 to 10.000 pcs by no. 4CNC lathes
- ◆ More than 10.000 pcs by no. 30 lathes with sliding headstock.

Therefore on your request we can realize any device on the grounds of your drawing with any material: metal & plastic.

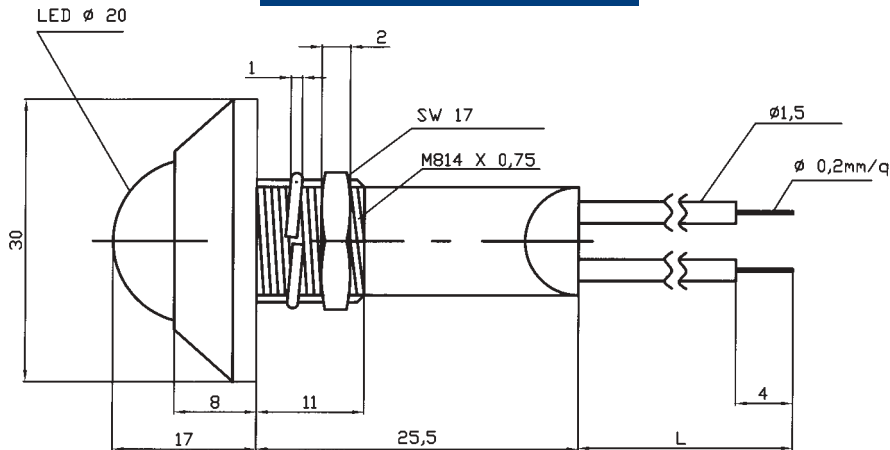
Concave = 1

Dimensions in mm (typical)



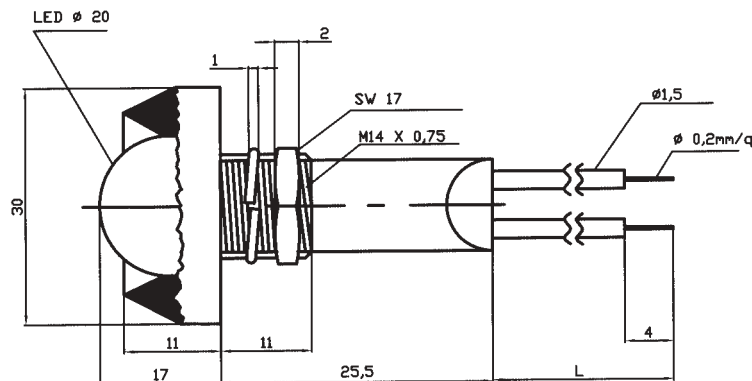
Convex = 2

Dimensions in mm (typical)



Plane = 3

Dimensions in mm (typical)



OPTIONS AVAILABLE

- ◆ Special LED on request
- ◆ Ultrabright from 330 to 3000 mcd
- ◆ Bicolor-Tricolor and Full color
- ◆ Blinking LEDs

- ◆ Waterproof IP66/67 on request
- ◆ Low Power < 0,9 W
- ◆ Customized version on request
- ◆ Different shape

- ◆ Body: standard material brass CW614N.
On request: Aluminium AL116, Still AWP
9SMnPb28/36, Teflon PTFE, Delrin, CuTe