

Make up your code

<u>KS</u>	<u>X</u>	<u>05</u>	<u>X</u>	<u>XXX</u>	<u>XX</u>	<u>XXX</u>
Series	1 = concave 2 = convex 3 = plane	LED diameter	N = Natural chrome finish B = Black chrome finish	LED code	Operating Voltage 02* 05 12 24 48	Cable Length** (Standard 200 mm)

* not available for BLUE and WHITE

** without cable = Z

LED Code	Material	Wave length (nm) Color	Lens Type	Iv (mcd) @ 20mA		Viewing Angle 2Θ
				Min	Typ	
B01	GaP	700/Red	Red Diffused	40	80	120°
B02	GaP	565/Green	Green Diffused	35	70	120°
B03	GaAsP/GaP	590/Yellow	Yellow Diffused	35	70	120°
B04	GaAsP/GaP	625/Red	Red Transparent	80	120	60°
B05	GaP	565/Green	Green Transparent	70	100	60°
B06	GaAsP/GaP	590/Yellow	Yellow Transparent	70	100	60°
B07	GaAsP/GaP	625/Orange	Orange Diffused	40	80	120°
B08	GaN	430/Blue	Blue Diffused	40	80	120°
B09	Gan	X=0.40 Y=0.43 White	White Diffused	120	200	60°
B10	GaAsP/GaP	625/Red	White Diffused	20	60	120°
Bicolor	Gap	565/Green		20	50	

All models listed in this page are referred to the SUPER-STANDARD series only.

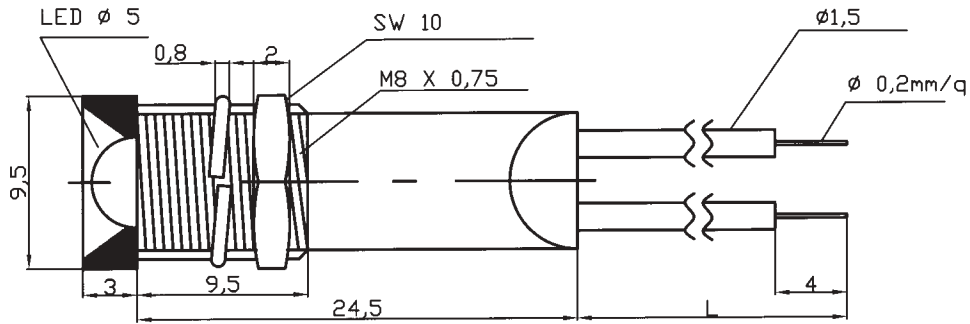
We can supply you with custom devices in a short time and at competitive prices as follows:

- ◆ 3.000 to 10.000 pcs by no. 4CNC lathes
- ◆ More than 10.000 pcs by no. 30 lathes with sliding headstock.

Therefore on your request we can realize any device on the grounds of your drawing with any material: metal & plastic.

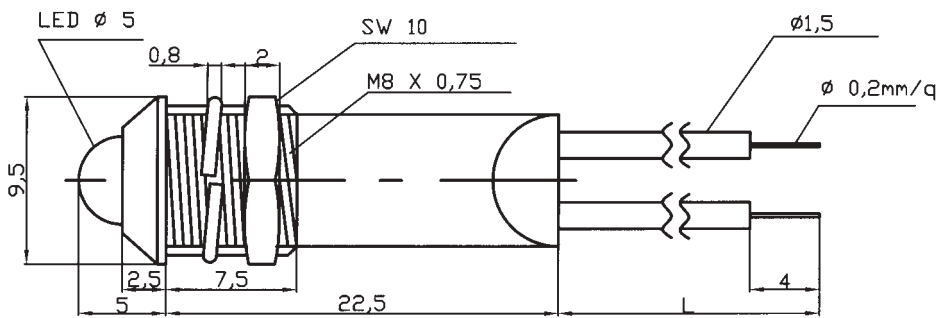
Concave = 1

Dimensions in mm (typical)



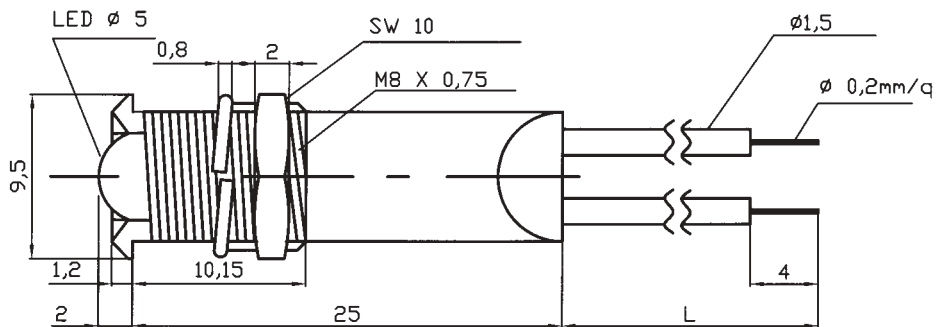
Convex = 2

Dimensions in mm (typical)



Plane = 3

Dimensions in mm (typical)



OPTIONS AVAILABLE

- ◆ Special LED on request
- ◆ Ultrabright from 330 to 3000 mcd
- ◆ Bicolor-Tricolor and Full color
- ◆ Blinking LEDs

- ◆ Waterproof IP66/67 on request
- ◆ Low Power < 0,9 W
- ◆ Customized version on request
- ◆ Different shape

- ◆ Body: standard material brass CW614N.
On request: Aluminium AL116, Still AWP
9SMnPb28/36, Teflon PTFE, Delrin, CuTe