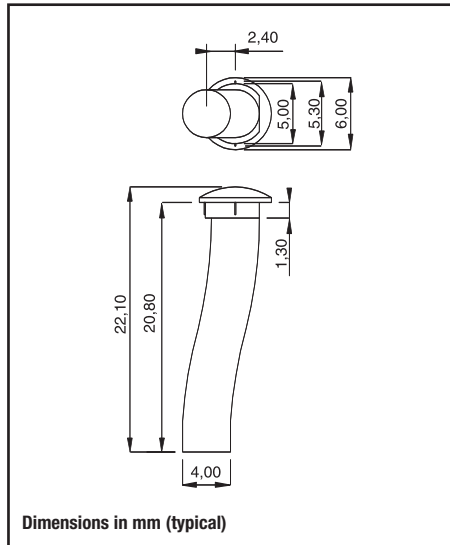





Material: PC Optics UL94 clear
Operating Temperature -60° +125°C
ESD Protection



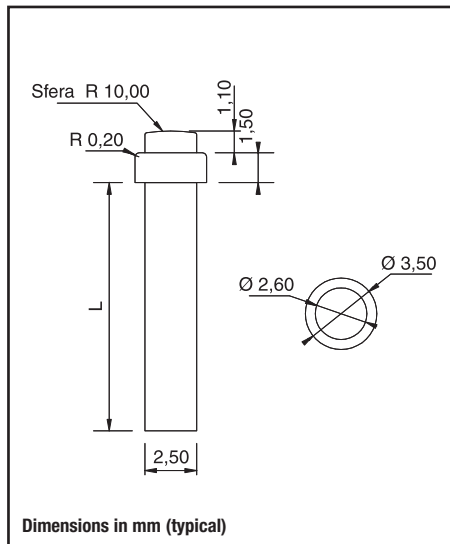
KSI08 series

Code	Color
KSI08	Clear Transparent

Hole panel: 5,25 mm 
Panel Thickness: 1,30 mm max




Material: PC Optics UL94 clear
Operating Temperature -60° +125°C
ESD Protection



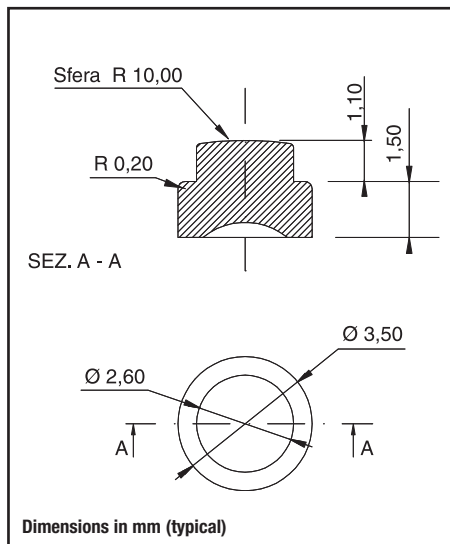
K21999 series

Code	Length (L)
K21999	12,5
K21999/8	8,0
K21999/10	10,4
K21999/20	20,0

Hole panel: 2,95 mm 
Panel Thickness: 1,00 mm max




Material: PC Optics UL94 clear
Operating Temperature -60° +125°C
ESD Protection



K22099 series

Code	Length (L)
K22099	1,50

Hole panel: 2,55 mm 
Panel Thickness: 1,00 mm max