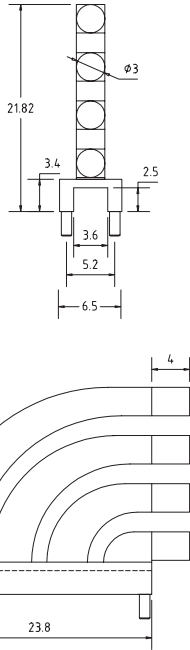
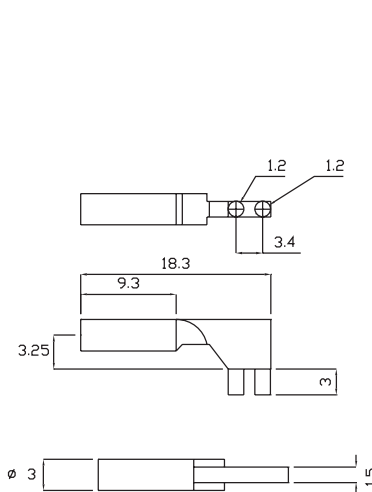


**Series KSI05**



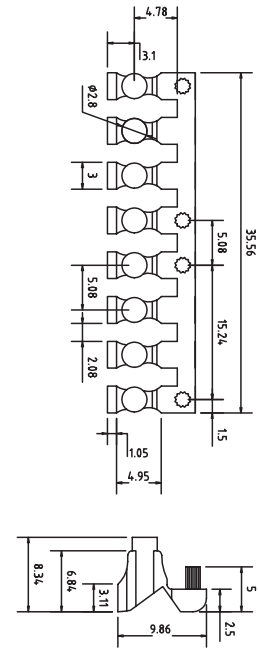
Dimensions in mm (typical)

**Series 60302**



Dimensions in mm (typical)

**K22399 Series**



Dimensions in mm (typical)

**RECOMMENDED LEDs:**

Size	Color	Range intensity (mcd)
1206	All	7,5÷140
0805	All	2÷60
0603	All	10÷60

**OPTIONS AVAILABLE**

- ◆ Different shapes and lengths
- ◆ Different fixing systems on P.C.B.

**One of many applications**

