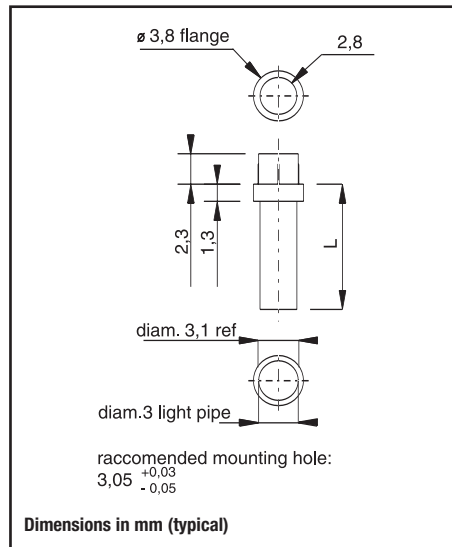




Material: PC Optics UL94 clear  
Operating Temperature -60° +125°C  
ESD Protection



**KPS168 series**

**Light Guides for front panel diam. 3mm**

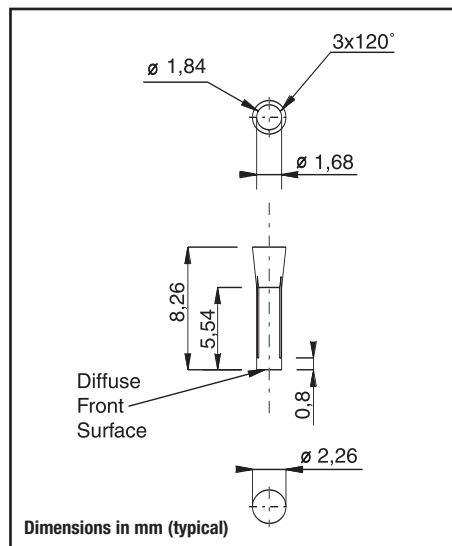
Code	Length (L)
KPS168/032	3,2
KSP168/064	6,4
KPS168/089	8,9
KPS168/095	9,5
KPS168/127	12,7
KPS168/159	15,9
KPS168/190	19,0
KPS168/210	21,0

Hole panel: 3,05 mm   
Panel Thickness: 2,30 mm max

**KPS169 series**



Material: PC Optics UL94 clear  
Operating Temperature -60° +125°C  
ESD Protection



**Light Guides for front panel diam. 2,26mm**

Code	Color
KPS169/085	Clear transparent

Hole panel: 1,80 mm   
Panel Thickness: 5,50 mm max

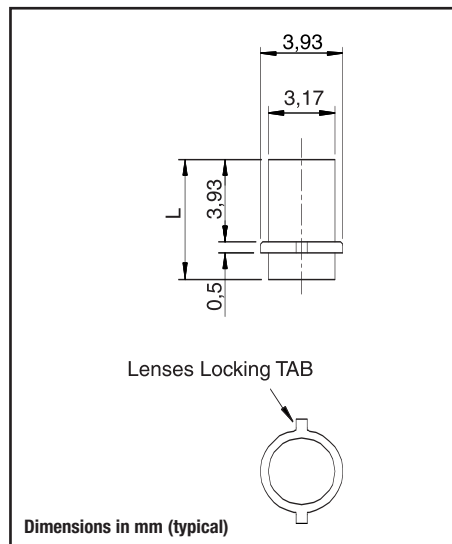
**OPTIONS AVAILABLE**

- ◆ Different shapes and lengths
- ◆ Different fixing systems on Panel
- ◆ Special color on request.

**KPS170 series**



Material: PC Optics UL94 clear  
Operating Temperature -60° +125°C  
ESD Protection



**Light Guides for KPAN03X series**

Code	Length (L)
KPS170/050	5,08
KSP170/101	10,16
KPS170/152	15,24
KPS170/203	20,32
KPS170/254	25,4
KPS170/304	30,48
KPS170/XXX	Your length