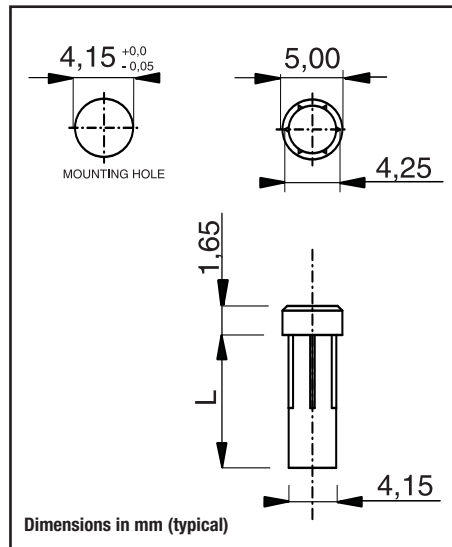





Material: PC Optics UL94 clear
Operating Temperature -60° +125°C
ESD Protection



KPS165 series

Light Guides for front panel diam.5mm

Code	Length (L)
KPS165/070	7,0
KPS165/233	23,3
KPS165/XXX	insert your length

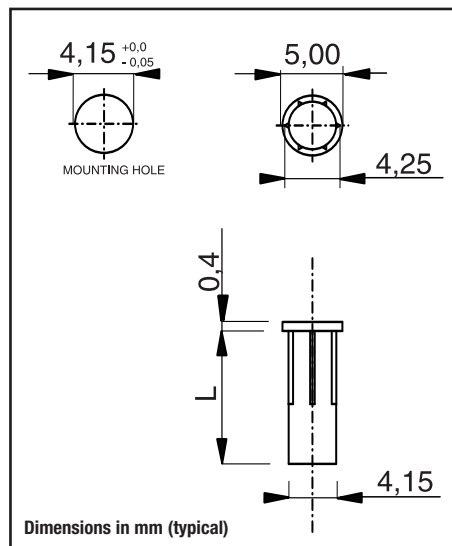
Hole panel: 4,15 mm 
Panel Thickness: 3,80 mm max

OPTIONS AVAILABLE

- ◆ Different shapes and lengths
- ◆ Different fixing systems on Panel
- ◆ Special color on request.




Material: PC Optics UL94 clear
Operating Temperature -60° +125°C
ESD Protection



KPS166 series

Light Guides for front panel diam.5mm

Code	Length (L)
KPS166/070	7,0
KPS166/233	23,3
KPS166/XXX	insert your length

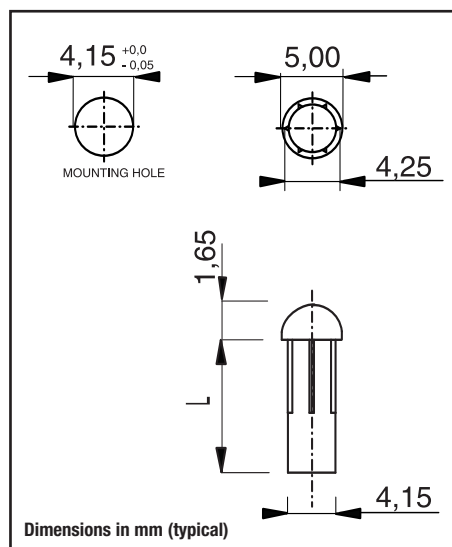
Hole panel: 4,15 mm 
Panel Thickness: 3,80 mm max

OPTIONS AVAILABLE

- ◆ Different shapes and lengths
- ◆ Different fixing systems on Panel
- ◆ Special color on request.



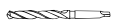
Material: PC Optics UL94 clear
Operating Temperature -60° +125°C
ESD Protection



KPS167 series

Light Guides for front panel diam.5mm

Code	Length (L)
KPS167/070	7,0
KPS167/233	23,3
KPS167/XXX	insert your length

Hole panel: 4,15 mm 
Panel Thickness: 3,80 mm max

OPTIONS AVAILABLE

- ◆ Different shapes and lengths
- ◆ Different fixing systems on Panel
- ◆ Special color on request.