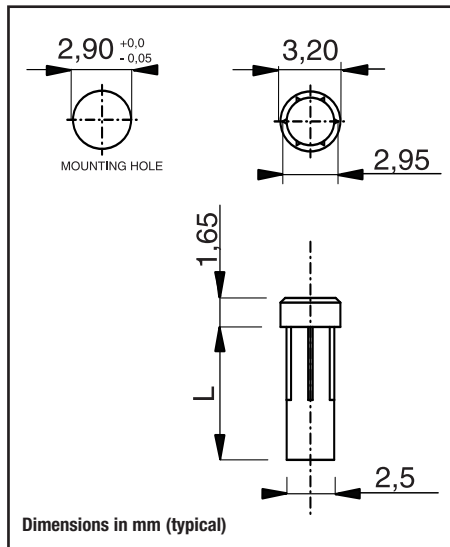




Material: PC Optics UL94 clear
Operating Temperature -60° +125°C
ESD Protection



KPS162 series

Light Guides for front panel diam. 3 mm

Code	Length (L)
KPS162/048	4,8
KPS162/070	7,0
KPS162/233	23,3
KPS162/XXX	insert your length

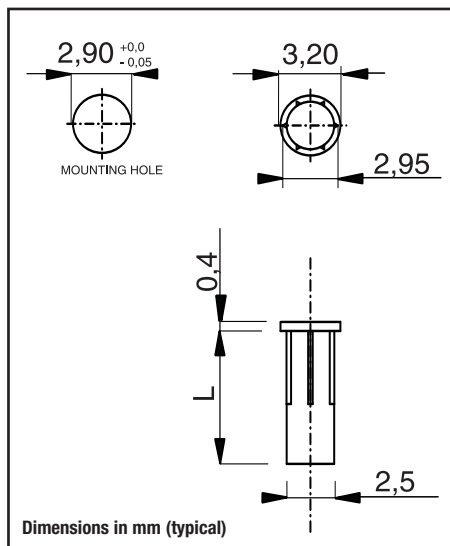
Hole panel: 2,90 mm
Panel Thickness: 3,80 mm max

OPTIONS AVAILABLE

- ◆ Different shapes and lengths
- ◆ Different fixing systems on Panel
- ◆ Special color on request.



Material: PC Optics UL94 clear
Operating Temperature -60° +125°C
ESD Protection



KPS163 series

Light Guides for front panel diam. 3 mm

Code	Length (L)
KPS163/048	4,8
KPS163/070	7,0
KPS163/233	23,3
KPS163/XXX	insert your length

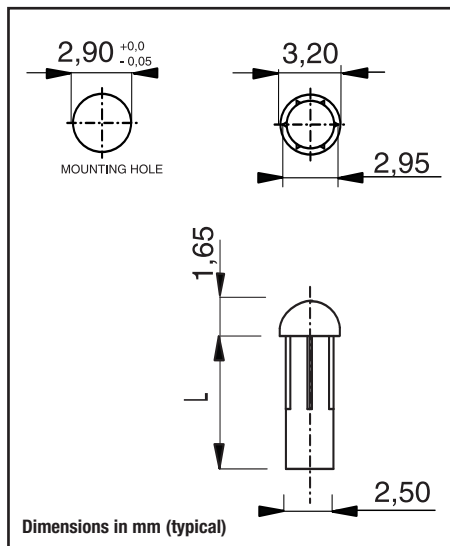
Hole panel: 2,90 mm
Panel Thickness: 3,80 mm max

OPTIONS AVAILABLE

- ◆ Different shapes and lengths
- ◆ Different fixing systems on Panel
- ◆ Special color on request.



Material: PC Optics UL94 clear
Operating Temperature -60° +125°C
ESD Protection



KPS164 series

Light Guides for front panel diam. 3 mm

Code	Length (L)
KPS164/048	4,8
KPS164/070	7,0
KPS164/233	23,3
KPS164/XXX	insert your length

Hole panel: 2,90 mm
Panel Thickness: 3,80 mm max

OPTIONS AVAILABLE

- ◆ Different shapes and lengths
- ◆ Different fixing systems on Panel
- ◆ Special color on request.