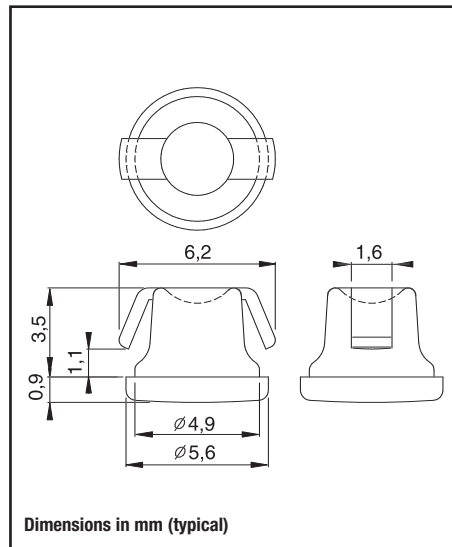





Material: PC Optics UL94 clear  
Operating Temperature -60° +125°C  
ESD Protection



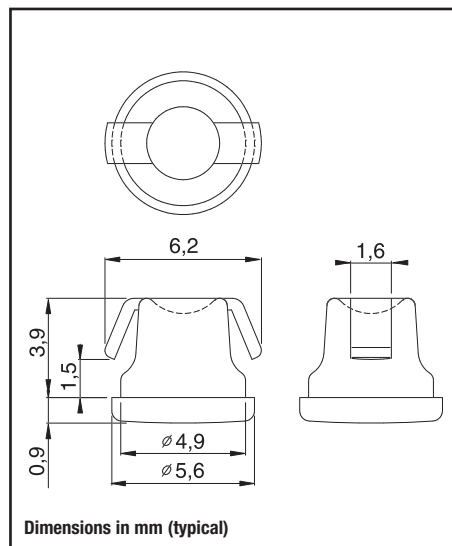
**KPAN061 series**

Code	Color
KPAN061C	Clear Transparent

Hole panel: 4,90 mm   
Panel Thickness: 1,10 mm max



Material: PC Optics UL94 clear  
Operating Temperature -60° +125°C  
ESD Protection




**KPAN062 series**

**Protection**

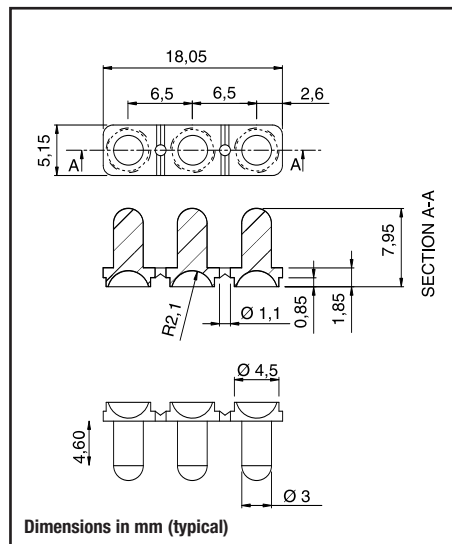
The Lenses helps prevent IC failures caused by electrostatic discharge (ESD). The Lens mounted LED helps guard components from ESD up to 16Kv while affording the LED physical protection.

Code	Color
KPAN062C	Clear Transparent

Hole panel: 4,90 mm   
Panel Thickness: 1,50 mm max




Material: PC Optics UL94 clear  
Operating Temperature -60° +125°C  
ESD Protection



**KLP08 series**

Code	Color	Position
KLP081	Clear Transparent	1
KLP082	Clear Transparent	2
KLP083	Clear Transparent	3

Hole panel: 2,95 mm   
Panel Thickness: 4,60 mm max