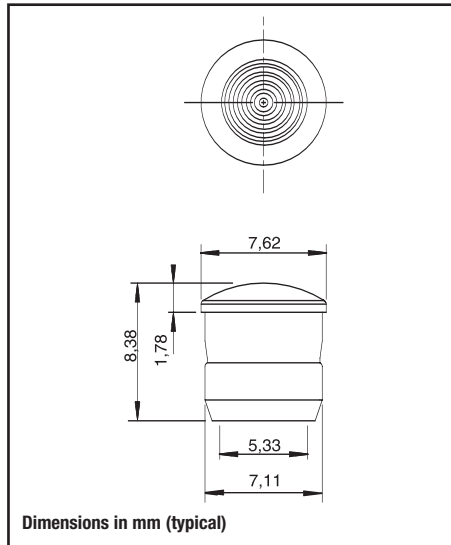




Material: PC Optics UL94 clear
Operating Temperature -60° +125°C
ESD Protection



KPAN052 series

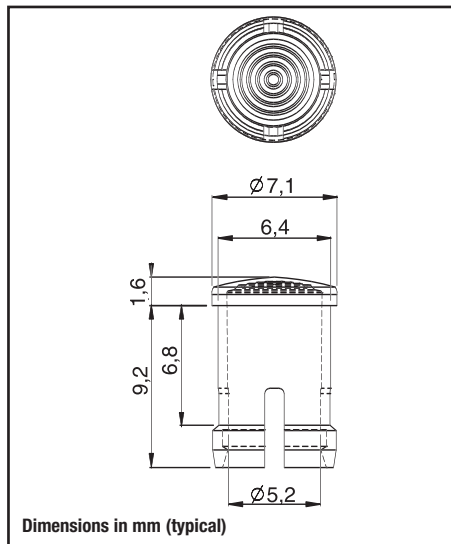
5 mm LEDs Panel Lenses

| Code | Color |
|----------|--------------------|
| KPAN052A | Amber Transparent |
| KPAN052B | Blue Transparent |
| KPAN052C | Clear Transparent |
| KPAN052G | Green Transparent |
| KPAN052R | Red Transparent |
| KPAN052Y | Yellow Transparent |

Hole panel: 7,11 mm 
Panel Thickness: 2,67 mm max
LEDs: 5 mm standard



Material: PC Optics UL94 clear
Operating Temperature -60° +125°C
ESD Protection



KPAN058 series

Protection

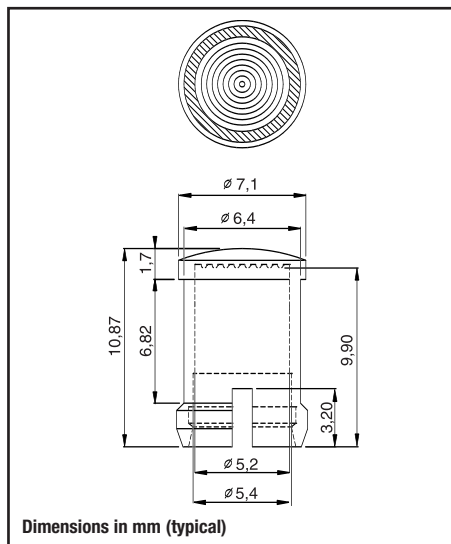
The Lenses helps prevent IC failures caused by electrostatic discharge (ESD). The Lens mounted LED helps guard components from ESD up to 16Kv while affording the LED physical protection.

| Code | Color |
|----------|-------------------|
| KPAN058C | Clear Transparent |

Hole panel: 6,40 mm 
Panel Thickness: 6,80 mm max
LEDs: 5 mm standard



Material: PC Optics UL94 clear
Operating Temperature -60° +125°C
ESD Protection



KPAN059 series

Brightness

When we use Lens with fresnel lens the light is distributed over the entire lens surface producing 180° of viewing.

| Code | Color |
|----------|-------------------|
| KPAN059C | Clear Transparent |

Hole panel: 6,40 mm 
Panel Thickness: 6,80 mm max
LEDs: 5 mm standard