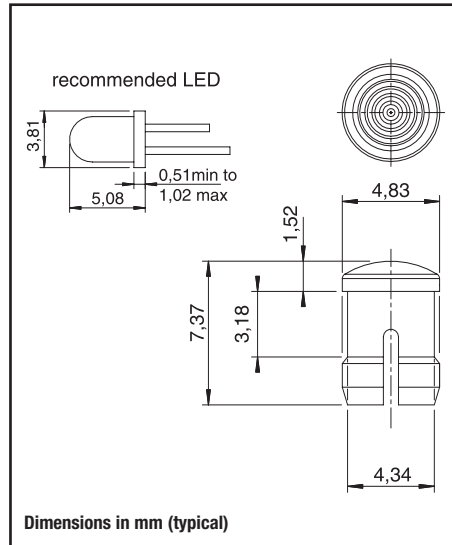




Material: PC Optics UL94 clear  
Operating Temperature -60° +125°C  
ESD Protection



**KPAN031 series**

**3 mm round Panel Lenses**

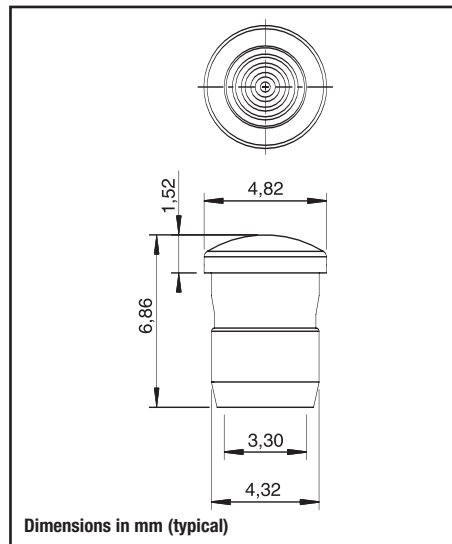
Code	Color
KPAN031A	Amber Transparent
KPAN031B	Blue Transparent
KPAN031C	Clear Transparent
KPAN031G	Green Transparent
KPAN031R	Red Transparent
KPAN031Y	Yellow Transparent

Hole panel: 4,30 mm   
Panel Thickness: 0,8÷6,3 mm  
LEDs: 3 mm standard

**KPAN032 series**



Material: PC Optics UL94 clear  
Operating Temperature -60° +125°C  
ESD Protection



**3 mm round Panel Lenses**

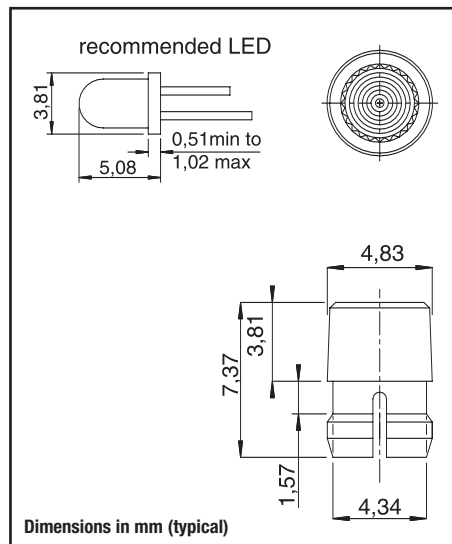
Code	Color
KPAN032A	Amber Transparent
KPAN032B	Blue Transparent
KPAN032C	Clear Transparent
KPAN032G	Green Transparent
KPAN032R	Red Transparent
KPAN032Y	Yellow Transparent

Hole panel: 4,40 mm   
Panel Thickness: 0,8÷2,3 mm  
LEDs: 3 mm standard

**KPAN033 series**



Material: PC Optics UL94 clear  
Operating Temperature -60° +125°C  
ESD Protection



**3 mm round Panel Lenses**

Code	Color
KPAN033A	Amber Transparent
KPAN033B	Blue Transparent
KPAN033C	Clear Transparent
KPAN033G	Green Transparent
KPAN033R	Red Transparent
KPAN033Y	Yellow Transparent

Hole panel: 4,30 mm   
Panel Thickness: 0,8÷1,6 mm  
LEDs: 3 mm standard