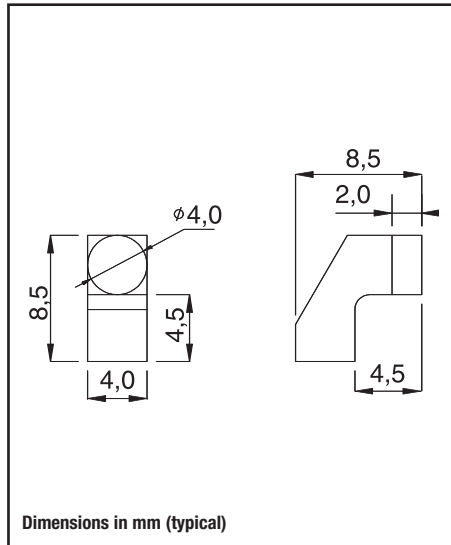


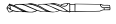


Material: PC Optics UL94 clear  
Operating Temperature -60° +125°C  
ESD Protection



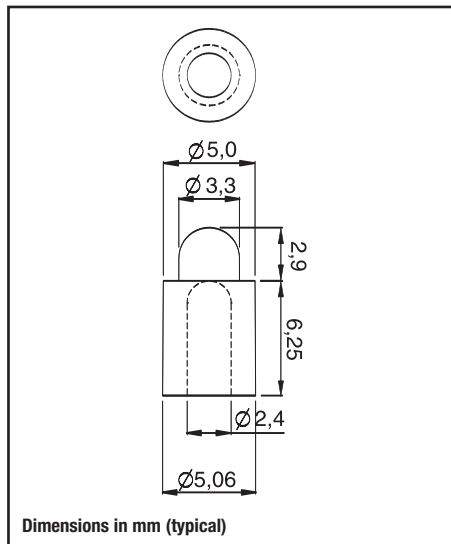
**KLP01 series**

Code	Color
KLP01	Clear transparent

Hole panel: 2,95 mm   
Panel Thickness: 2,00 mm max




Material: PC Optics UL94 clear  
Operating Temperature -60° +125°C  
ESD Protection



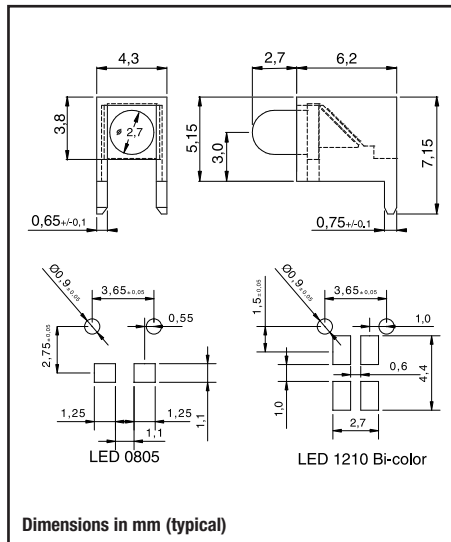
**KLP05 series**

Code	Color
KLP05	Clear transparent

Hole panel: 3,25 mm   
Panel Thickness: 1,25 mm max




Material: PC optics UL94 - clear  
Nylon 66  
Operating Temperature -60° +105°C  
ESD Protection



**KLP06 series**

Code	Color
KLP06	Clear transparent

Hole panel: 2,70 mm   
Panel Thickness: 1,25 mm max

**Recommended LEDs:**

- 1206
- 1210 Bicolor
- 0805