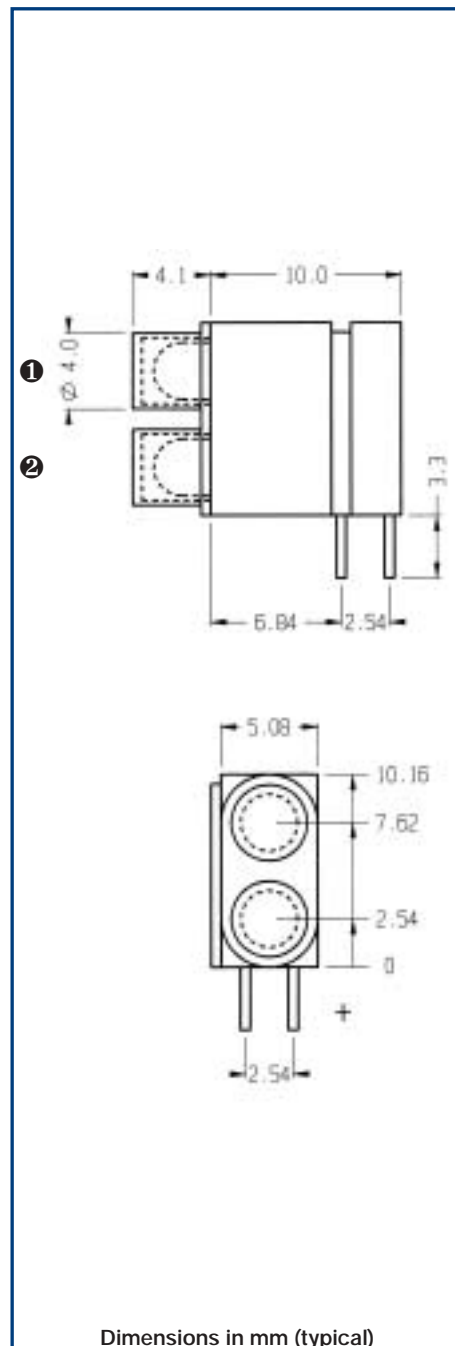




**SERIES KDE 32-15KV** **Ø 3 mm LED**

TYPE	EMITTED COLOUR			LUMINOUS INTENSITY		FULL VIEWING ANGLE	FORWARD VOLTAGE (IF = 20 mA)		OPERATING TEMPERATURE	FORWARD CURRENT
	①	②	PEAK	TYP.	IF		TYP.	MAX		
KDE 32-15KV - RR	RED	RED	700	5	10	120	2,0	2,5	- 55 to + 100	25
KDE 32-15KV - YY	YELLOW	YELLOW	590	12,5	10	120	2,2	2,5		25
KDE 32-15KV - GG	GREEN	GREEN	565	12,5	10	120	2,1	2,5		30
KDE 32-15KV - SS	SUPER RED	SUPER RED	625	20	10	120	2,0	2,5		30
KDE 32-15KV - II	IPER RED	IPER RED	660	100	20	120	1,85	2,5		30
<b>MULTICOLOURED</b>										
KDE 32-15KV - GR	GREEN	RED								
KDE 32-15KV - YR	YELLOW	RED								
KDE 32-15KV - YG	YELLOW	GREEN								
KDE 32-15KV - SG	SUPER RED	GREEN								
KDE 32-15KV - SY	SUPER RED	YELLOW								
KDE 32-15KV - RG	RED	GREEN								
KDE 32-15KV - RY	RED	YELLOW								
KDE 32-15KV - GY	GREEN	YELLOW								
KDE 32-15KV - GS	GREEN	SUPER RED								
KDE 32-15KV - YS	YELLOW	SUPER RED								
<b>FOR TECHNICAL DATAS: SEE ABOVE</b>										
<b>LOW CURRENT</b>										
KDE 32-15KV - RRL	RED	RED	625	2	2	120	1,8	2,5		7,5
KDE 32-15KV - YYL	YELLOW	YELLOW	590	2	2	120	1,9	2,5		7,5
KDE 32-15KV - GGL	GREEN	GREEN	565	2	2	120	1,9	2,5		7,5
KDE 32-15KV - IIL	IPER RED	IPER RED	660	20	2	120	1,85	2,5		7,5
<b>MULTICOLOURED LOW CURRENT</b>										
KDE 32-15KV - GRL	GREEN	RED								
KDE 32-15KV - YRL	YELLOW	RED								
KDE 32-15KV - YGL	YELLOW	GREEN								
KDE 32-15KV - SGL	SUPER RED	GREEN								
KDE 32-15KV - SYL	SUPER RED	YELLOW								
KDE 32-15KV - RGL	RED	GREEN								
KDE 32-15KV - RYL	RED	YELLOW								
KDE 32-15KV - GYL	GREEN	YELLOW								
KDE 32-15KV - GSL	GREEN	SUPER RED								
KDE 32-15KV - YSL	YELLOW	SUPER RED								
<b>FOR TECHNICAL DATAS: SEE ABOVE</b>										
<b>QUALITY TESTED</b> 100%	<b>DIFFUSED</b>	<b>nm</b>	<b>mcd</b>	<b>mA</b>	<b>DEGREE°</b>	<b>V</b>	<b>V</b>	<b>°C</b>	<b>mA</b>	



**MATERIAL SPECIFICATION**

- ◆ HOUSING: BLACK, UL94 V-0
- ◆ SOLDERING TEMPERATURE: 260 °C ≤ 6 sec.
- ◆ FLAMABILITY: UL 94 V-0 and acc. VDE 0304 part3
- ◆ CLIMATE: DIN 40040
- ◆ TERMINATIONS: □ 0,5 mm leads
- ◆ Mean Time Between Failure: • standard 100.000 hours • low current 250.000 hours

**OPTIONS AVAILABLE**

- ◆ 5V & 12 V INTEGRATED RESISTOR
- ◆ BICOLOUR/TRICOLOUR & BIPOLAR
- ◆ BLUE OR WHITE LEDs
- ◆ ULTRABRIGHT - INFRARED & PHOTOTRANSISTORS
- ◆ LED CASE: WATER CLEAR - TRANSPARENT - WHITE
- ◆ FLAT TOP & BLINKING LEDs ◆ SPECIAL LEDs ON REQUEST