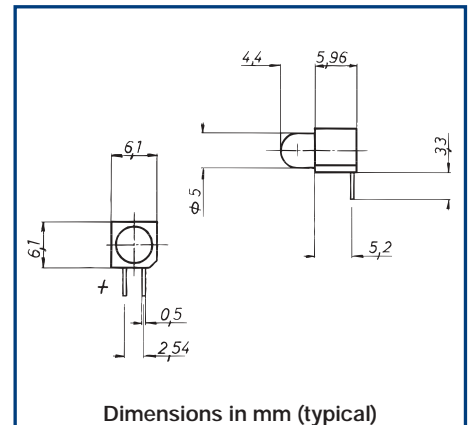


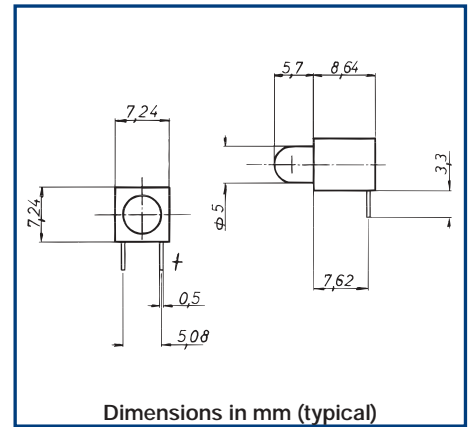
SERIES K 550 Ø 5 mm LED

TYPE	EMITTED COLOUR	LUMINOUS INTENSITY			FULL VIEWING ANGLE	FORWARD VOLTAGE (IF = 20 mA)		OPERATING TEMPERATURE	FORWARD CURRENT
		PEAK	TYP.	IF		TYP.	MAX		
K 550 - R	RED	700	5	10	120	2,0	2,5	- 55 to + 100	25
K 550 - Y	YELLOW	590	12,5	10	120	2,1	2,5		30
K 550 - G	GREEN	565	12,5	10	120	2,2	2,5	+ 100	25
K 550 - S	SUPER RED	625	20	10	120	2,0	2,5		30
K 550 - B	RED/GREEN	625/565	12,5	20	100	2,0	2,5	+ 100	25
K 550 - I	IPER RED	660	100	20	120	1,85	2,5		30
LOW CURRENT									
K 550 - RL	RED	625	2	2	120	1,8	2,5	- 55	7,5
K 550 - YL	YELLOW	590	2	2	120	1,9	2,7	to	7,5
K 550 - GL	GREEN	565	2	2	120	1,9	2,5	to	7,5
K 550 - IL	IPER RED	660	20	2	120	1,85	2,5	+ 100	7,5
QUALITY TESTED 100%	DIFFUSED	nm	mcd	mA	DEGREE°	V	V	°C	mA



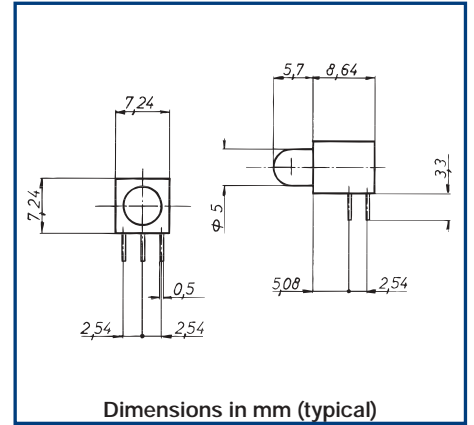
SERIES K 551 Ø 5 mm LED

TYPE	EMITTED COLOUR	LUMINOUS INTENSITY			FULL VIEWING ANGLE	FORWARD VOLTAGE (IF = 20 mA)		OPERATING TEMPERATURE	FORWARD CURRENT
		PEAK	TYP.	IF		TYP.	MAX		
K 551 - R	RED	700	5	10	120	2,0	2,5	- 55 to + 100	25
K 551 - Y	YELLOW	590	12,5	10	120	2,1	2,5		30
K 551 - G	GREEN	565	12,5	10	120	2,2	2,5	+ 100	25
K 551 - S	SUPER RED	625	20	10	120	2,0	2,5		30
K 551 - B	RED/GREEN	625/565	12,5	20	100	2,0	2,5	+ 100	25
K 551 - I	IPER RED	660	100	20	120	1,85	2,5		30
LOW CURRENT									
K 551 - RL	RED	625	2	2	120	1,8	2,5	- 55	7,5
K 551 - YL	YELLOW	590	2	2	120	1,9	2,7	to	7,5
K 551 - GL	GREEN	565	2	2	120	1,9	2,5	to	7,5
K 551 - IL	IPER RED	660	20	2	120	1,85	2,5	+ 100	7,5
QUALITY TESTED 100%	DIFFUSED	nm	mcd	mA	DEGREE°	V	V	°C	mA



SERIES K 556 Ø 5 mm LED

TYPE	EMITTED COLOUR	LUMINOUS INTENSITY			FULL VIEWING ANGLE	FORWARD VOLTAGE (IF = 20 mA)		OPERATING TEMPERATURE	FORWARD CURRENT
		PEAK	TYP.	IF		TYP.	MAX		
K 556 - EGW	RED/GREEN	625/565	40	20	100	2,2	2,5	- 55 to + 100	30
K 556 - EGW/CA	RED/GREEN	625/565	40	20	100	2,2	2,5		30
K 556 - EYW	RED/YELLOW	625/590	20	20	100	2,2	2,5	+ 100	25
K 556 - GYW	GREEN/YELLOW	625/590	20	20	100	2,2	2,5		30
QUALITY TESTED 100%	DIFFUSED	nm	mcd	mA	DEGREE°	V	V	°C	mA



MATERIAL SPECIFICATION

- ◆ HOUSING: BLACK, UL94 V-0
- ◆ SOLDERING TEMPERATURE: 260 °C ≤ 6 sec.
- ◆ FLAMABILITY: UL 94 V-0 and acc. VDE 0304 part3
- ◆ CLIMATE: DIN 40040
- ◆ TERMINATIONS: □ 0,5 mm leads
- ◆ Mean Time Between Failure: • standard 100.000 hours • low current 250.000 hours

OPTIONS AVAILABLE

- ◆ 5V & 12 V INTEGRATED RESISTOR
- ◆ BICOLOUR/TRICOLOUR & BIPOLAR
- ◆ BLUE OR WHITE LEDs
- ◆ ULTRABRIGHT - INFRARED & PHOTOTRANSISTORS
- ◆ LED CASE: WATER CLEAR - TRANSPARENT - WHITE
- ◆ FLAT TOP & BLINKING LEDs ◆ SPECIAL LEDs ON REQUEST