



**K 328**



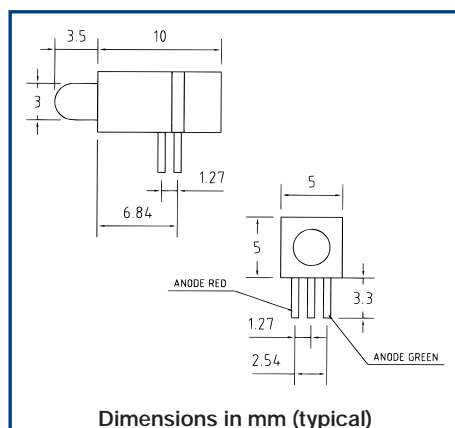
**K 327**



**K 467**

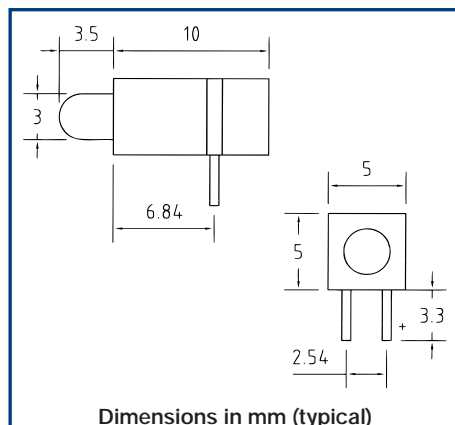
**SERIES K 328** **Ø 3 mm LED**

TYPE	EMITTED COLOUR		LUMINOUS INTENSITY			FULL VIEWING ANGLE	FORWARD VOLTAGE (IF = 20 mA)		OPERATING TEMPERATURE	FORWARD CURRENT
	(BICOLOUR)		PEAK	TYP.	IF		TYP.	MAX		
K 328 - EGW	RED	GREEN	625/565	40	20	100	2,2	2,5	- 55 to + 100	30
K 328 - EYW	RED	YELLOW	625/590	20	20	100	2,2	2,5		25
K 328 - GYW	GREEN	YELLOW	625/590	20	20	100	2,2	2,5		30
<b>QUALITY TESTED 100%</b>	<b>DIFFUSED</b>	<b>nm</b>	<b>mcd</b>	<b>mA</b>	<b>DEGREE°</b>	<b>V</b>	<b>V</b>	<b>°C</b>	<b>mA</b>	



**SERIES K 327** **Ø 3 mm LED**

TYPE	EMITTED COLOUR		LUMINOUS INTENSITY			FULL VIEWING ANGLE	FORWARD VOLTAGE (IF = 20 mA)		OPERATING TEMPERATURE	FORWARD CURRENT
	PEAK	TYP.	IF	TYP.	MAX					
K 327 - R	RED	700	5	10	120	2,0	2,5	- 55 to + 100	25	
K 327 - Y	YELLOW	590	12,5	10	120	2,1	2,5		30	
K 327 - G	GREEN	565	12,5	10	120	2,2	2,5		25	
K 327 - S	SUPER RED	625	20	10	120	2,0	2,5	30		
K 327 - B	RED/GREEN	625/565	12,5	20	100	2,0	2,5	25		
K 327 - I	IPER RED	660	100	20	120	1,85	2,5	30		
<b>LOW CURRENT</b>										
K 327 - RL	RED	625	2	2	120	1,8	2,5	- 55	7,5	
K 327 - YL	YELLOW	590	2	2	120	1,9	2,7	to	7,5	
K 327 - GL	GREEN	565	2	2	120	1,9	2,5	to	7,5	
K 327 - IL	IPER RED	660	20	2	120	1,85	2,5	+ 100	7,5	
<b>QUALITY TESTED 100%</b>	<b>DIFFUSED</b>	<b>nm</b>	<b>mcd</b>	<b>mA</b>	<b>DEGREE°</b>	<b>V</b>	<b>V</b>	<b>°C</b>	<b>mA</b>	



**SERIES K 467** **Ø 3 mm LED**

TYPE	EMITTED COLOUR			LUMINOUS INTENSITY			FULL VIEWING ANGLE	FORWARD VOLTAGE (IF = 20 mA)		OPERATING TEMPERATURE	FORWARD CURRENT
	①	②	PEAK	TYP.	IF	TYP.		MAX			
K 467 - RR	RED	RED	700	5	10	120	2,0	2,5	- 55 to + 100	25	
K 467 - YY	YELLOW	YELLOW	590	12,5	10	120	2,2	2,5		25	
K 467 - GG	GREEN	GREEN	565	12,5	10	120	2,1	2,5		30	
K 467 - SS	SUPER RED	SUPER RED	625	20	10	120	2,0	2,5	30		
K 467 - II	IPER RED	IPER RED	660	100	20	120	1,85	2,5	30		
<b>MULTICOLOURED</b>											
K 467 - GR	GREEN	RED									
K 467 - YR	YELLOW	RED									
K 467 - YG	YELLOW	GREEN									
K 467 - SG	SUPER RED	GREEN									
K 467 - SY	SUPER RED	YELLOW									
K 467 - RG	RED	GREEN									
K 467 - RY	RED	YELLOW									
K 467 - GY	GREEN	YELLOW									
K 467 - GS	GREEN	SUPER RED									
K 467 - YS	YELLOW	SUPER RED									
<b>BICOLOUR</b>											
K 467 - EGW	RED	GREEN	625/565	40	20	100	2,2	2,5	- 55	30	
K 467 - EYW	RED	YELLOW	625/590	20	20	100	2,2	2,5	to	25	
K 467 - GYW	GREEN	YELLOW	625/565	20	20	100	2,2	2,5	+ 100	30	
<b>QUALITY TESTED 100%</b>	<b>DIFFUSED</b>	<b>nm</b>	<b>mcd</b>	<b>mA</b>	<b>DEGREE°</b>	<b>V</b>	<b>V</b>	<b>°C</b>	<b>mA</b>		

