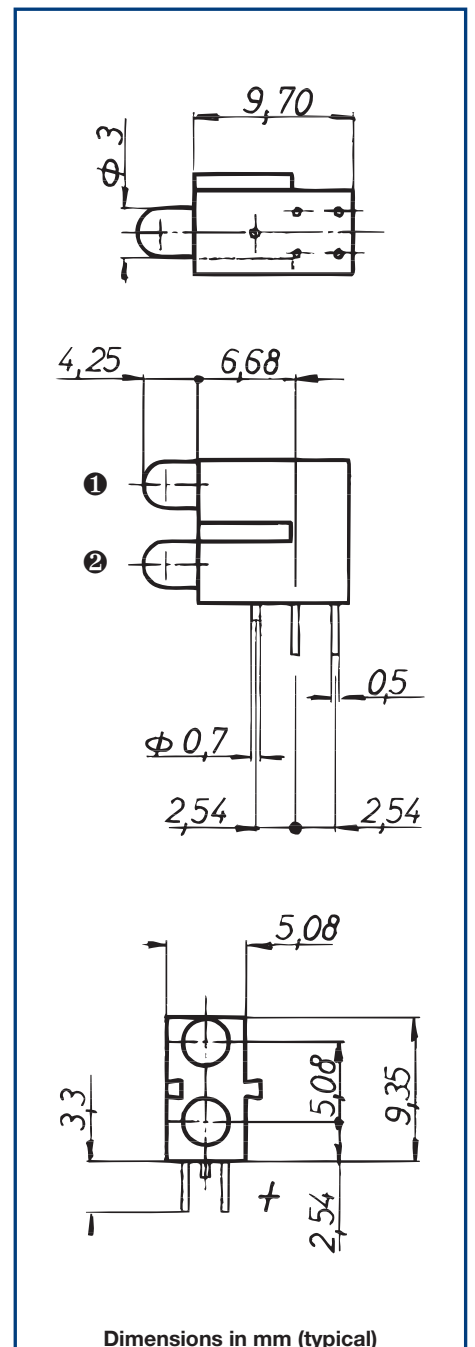


**SERIES K 109** **Ø 3 mm LED**

TYPE	EMITTED COLOUR			LUMINOUS INTENSITY		FULL VIEWING ANGLE	FORWARD VOLTAGE (IF = 20 mA)		OPERATING TEMPERATURE	FORWARD CURRENT
	①	②	PEAK	TYP.	IF		TYP.	MAX		
K 109 - RR	RED	RED	700	5	10	120	2,0	2,5	- 55 to + 100	25
K 109 - YY	YELLOW	YELLOW	590	12,5	10	120	2,2	2,5		25
K 109 - GG	GREEN	GREEN	565	12,5	10	120	2,1	2,5		30
K 109 - SS	SUPER RED	SUPER RED	625	20	10	120	2,0	2,5		30
K 109 - II	IUPER RED	IUPER RED	660	100	20	120	1,85	2,5		30
<b>MULTICOLOURED</b>										
K 109 - GR	GREEN	RED								
K 109 - YR	YELLOW	RED								
K 109 - YG	YELLOW	GREEN								
K 109 - SG	SUPER RED	GREEN								
K 109 - SY	SUPER RED	YELLOW								
K 109 - RG	RED	GREEN								
K 109 - RY	RED	YELLOW								
K 109 - GY	GREEN	YELLOW								
K 109 - GS	GREEN	SUPER RED								
K 109 - YS	YELLOW	SUPER RED								
<b>FOR TECHNICAL DATAS: SEE ABOVE</b>										
<b>LOW CURRENT</b>										
K 109 - RRL	RED	RED	625	2	2	120	1,8	2,5		7,5
K 109 - YYL	YELLOW	YELLOW	590	2	2	120	1,9	2,5		7,5
K 109 - GGL	GREEN	GREEN	565	2	2	120	1,9	2,5		7,5
K 109 - IIL	IUPER RED	IUPER RED	660	20	2	120	1,85	2,5		7,5
<b>MULTICOLOURED LOW CURRENT</b>										
K 109 - GRL	GREEN	RED								
K 109 - YRL	YELLOW	RED								
K 109 - YGL	YELLOW	GREEN								
K 109 - SGL	SUPER RED	GREEN								
K 109 - SYL	SUPER RED	YELLOW								
K 109 - RGL	RED	GREEN								
K 109 - RYL	RED	YELLOW								
K 109 - GYL	GREEN	YELLOW								
K 109 - GSL	GREEN	SUPER RED								
K 109 - YSL	YELLOW	SUPER RED								
<b>QUALITY TESTED</b>	<b>DIFFUSED</b>	<b>nm</b>	<b>mcd</b>	<b>mA</b>	<b>DEGREE°</b>	<b>V</b>	<b>V</b>	<b>°C</b>		<b>mA</b>
100%										



**MATERIAL SPECIFICATION**

- ◆ HOUSING: BLACK, UL94 V-0
- ◆ SOLDERING TEMPERATURE: 260 °C ≤ 6 sec.
- ◆ FLAMABILITY: UL 94 V-0 and acc. VDE 0304 part3
- ◆ CLIMATE: DIN 40040
- ◆ TERMINATIONS: □ 0,5 mm leads
- ◆ Mean Time Between Failure: • standard 100.000 hours • low current 250.000 hours

**OPTIONS AVAILABLE**

- ◆ 5V & 12 V INTEGRATED RESISTOR
- ◆ BICOLOUR/TRICOLOUR & BIPOLAR
- ◆ BLUE OR WHITE LEDs
- ◆ ULTRABRIGHT - INFRARED & PHOTOTRANSISTORS
- ◆ LED CASE: WATER CLEAR - TRANSPARENT - WHITE
- ◆ FLAT TOP & BLINKING LEDs ◆ SPECIAL LEDs ON REQUEST